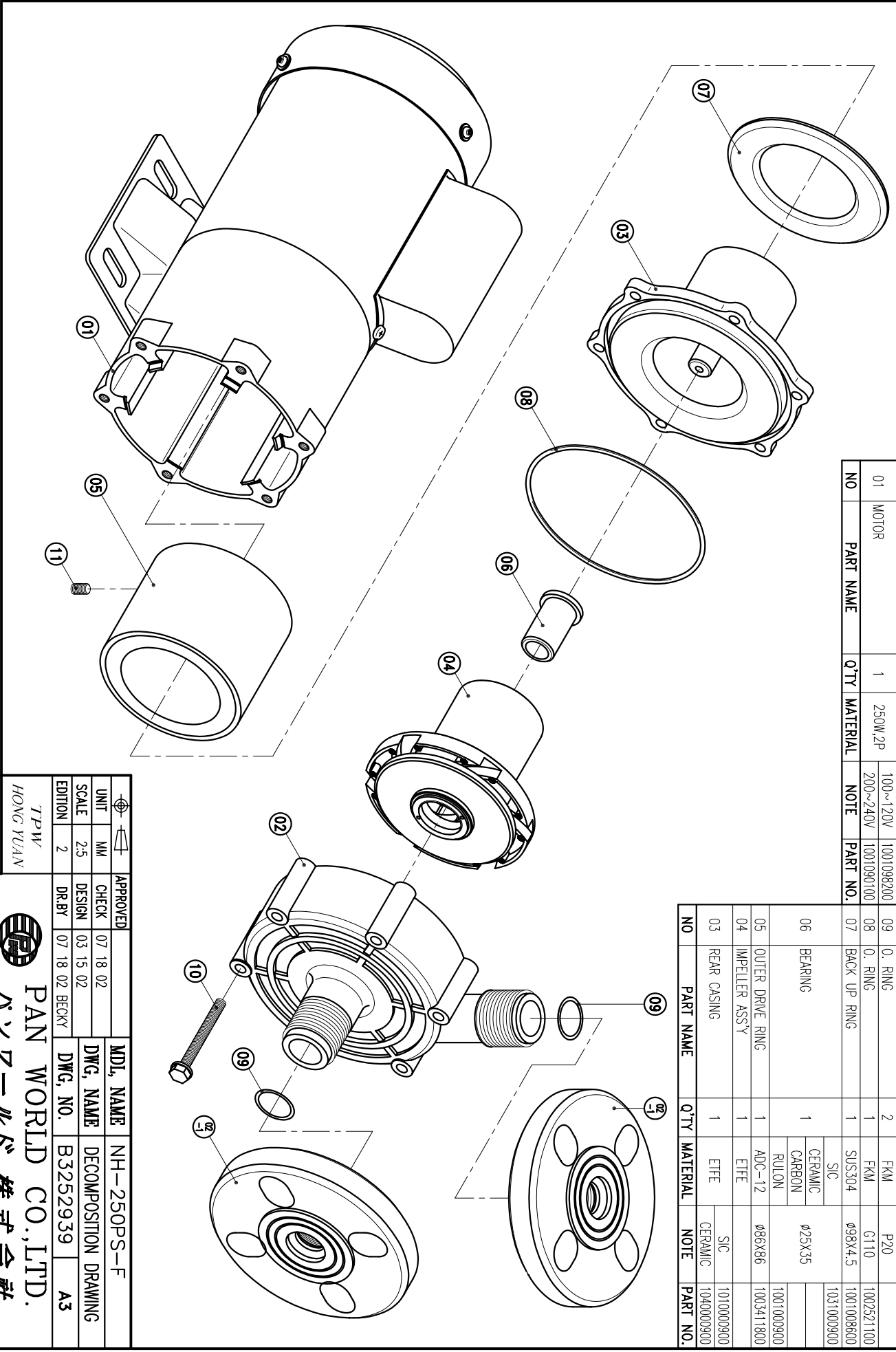


| NO | PART NAME | QTY | MATERIAL | NOTE | PART NO. |
|------|-------------------------------------|-----|----------|----------|------------|
| 02-1 | FLANGE | 2 | ETFE | 25A | 1002928100 |
| 02 | FRONT CASING | 1 | ETFE | SIC | 1002926190 |
| | | | | CERAMIC | 1002926100 |
| 01 | MOTOR | 1 | 250W,2P | 100~120V | 1001098200 |
| | | | | 200~240V | 1001090100 |
| 11 | SET SCREW | 2 | S435 | | 6x10 |
| 10 | HEXAGON HEAD BOLT w/PLAIN WASHER | 6 | SUS304 | | 6x55 |
| 09 | O. RING | 2 | FKM | P20 | |
| 08 | O. RING | 1 | FKM | G110 | 1002921100 |
| 07 | BACK UP RING | 1 | SUS304 | φ98x4.5 | 1001008600 |
| | | | SIC | | 1031000900 |
| 06 | BEARING | 1 | CERAMIC | φ25x35 | |
| | | | CARBON | | |
| | | | RULON | | 1001000900 |
| 05 | OUTER DRIVE RING | 1 | ADC-12 | φ86x86 | 1003411800 |
| 04 | IMPELLER ASS'Y | 1 | ETFE | | |
| 03 | REAR CASING | 1 | ETFE | SIC | 1010000900 |
| | | | | CERAMIC | 1040000900 |

| NO | PART NAME | QTY | MATERIAL | NOTE | PART NO. |
|----|------------------|-----|----------|---------|------------|
| 06 | BEARING | 1 | CERAMIC | φ25x35 | |
| | | | CARBON | | |
| | | | RULON | | 1001000900 |
| 05 | OUTER DRIVE RING | 1 | ADC-12 | φ86x86 | 1003411800 |
| 04 | IMPELLER ASS'Y | 1 | ETFE | | |
| 03 | REAR CASING | 1 | ETFE | SIC | 1010000900 |
| | | | | CERAMIC | 1040000900 |



| UNIT | MM | APPROVED | CHECK | 07 18 02 | MDL NAME | NH-250PS-F |
|---------|-----|----------|----------------|-----------|---------------|------------|
| SCALE | 2.5 | DESIGN | 03 15 02 | DWG. NAME | DECOMPOSITION | DRAWING |
| EDITION | 2 | DR.BY | 07 18 02 BECKY | DWG. NO. | B3252939 | A3 |

TPW
HONG YUAN

PAN WORLD CO.,LTD.
パンワールド株式会社