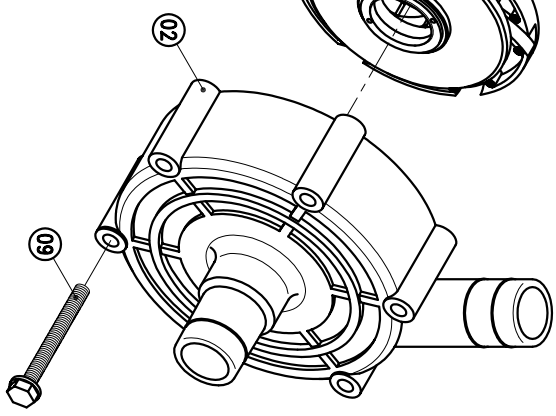
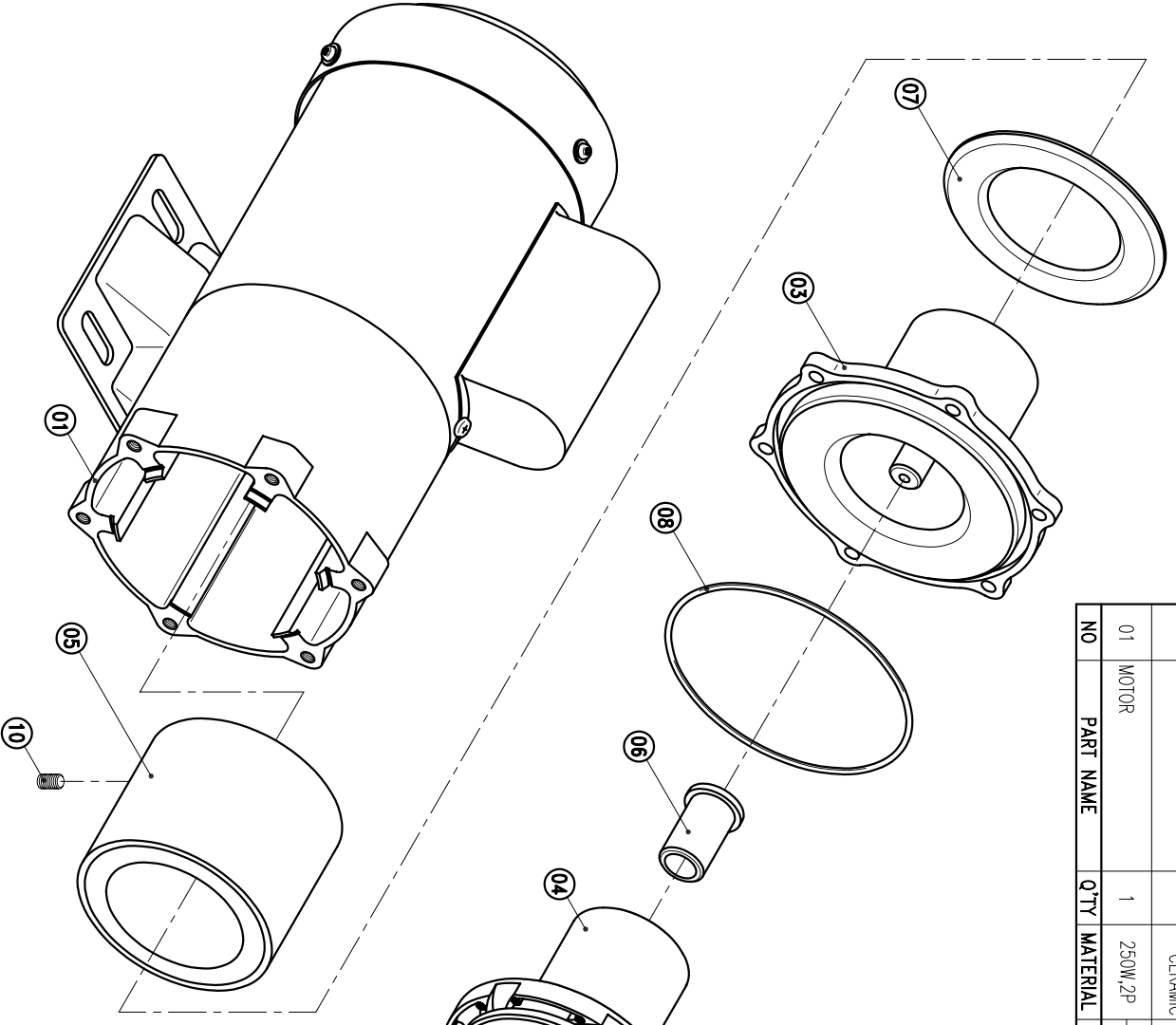


NO	PART NAME	Q'TY	MATERIAL	NOTE	PART NO.
02	FRONT CASING	1	ETFE CERAMIC	HOSE THREAD HOSE 1002525190	1002525190
01	MOTOR	1	250W,2P	100~120V 200~240V	1001098200 1001090100

10	SET SCREW	2	S435	M6X10	
09	HEXAGON HEAD BOLT w/PLAIN WASHER	6	SUS304	M6X55	
08	O. RING	1	FKM	G110	1002521100
07	BACK UP RING	1	SUS304	φ98X4.5	1001008600
			SIC		1031000900
06	BEARING	1	CERAMIC CARBON	φ25X35	
			RIULON		1001000900
05	OUTER DRIVE RING	1	ADC-12	φ86X86	1003411800
04	IMPELLER ASS'Y	1	ETFE		
03	REAR CASING	1	ETFE		
			SIC		1010000900
			CERAMIC		1040000900



HOSE: 26mm X 26mm
G : 1" X 1"
NPT : 1" X 1"

APPROVED	CHECK	DESIGN	DR.BY	MDL NAME	DWG. NAME	DECOMPOSITION	DRAWING
	07 18 02	03 15 02	07 18 02 BECKY	NH-250PS-F			
					DWG. NO.	B3252938	A3

TPW
HONG YUAN



PAN WORLD CO.,LTD.
パンワールド株式会社