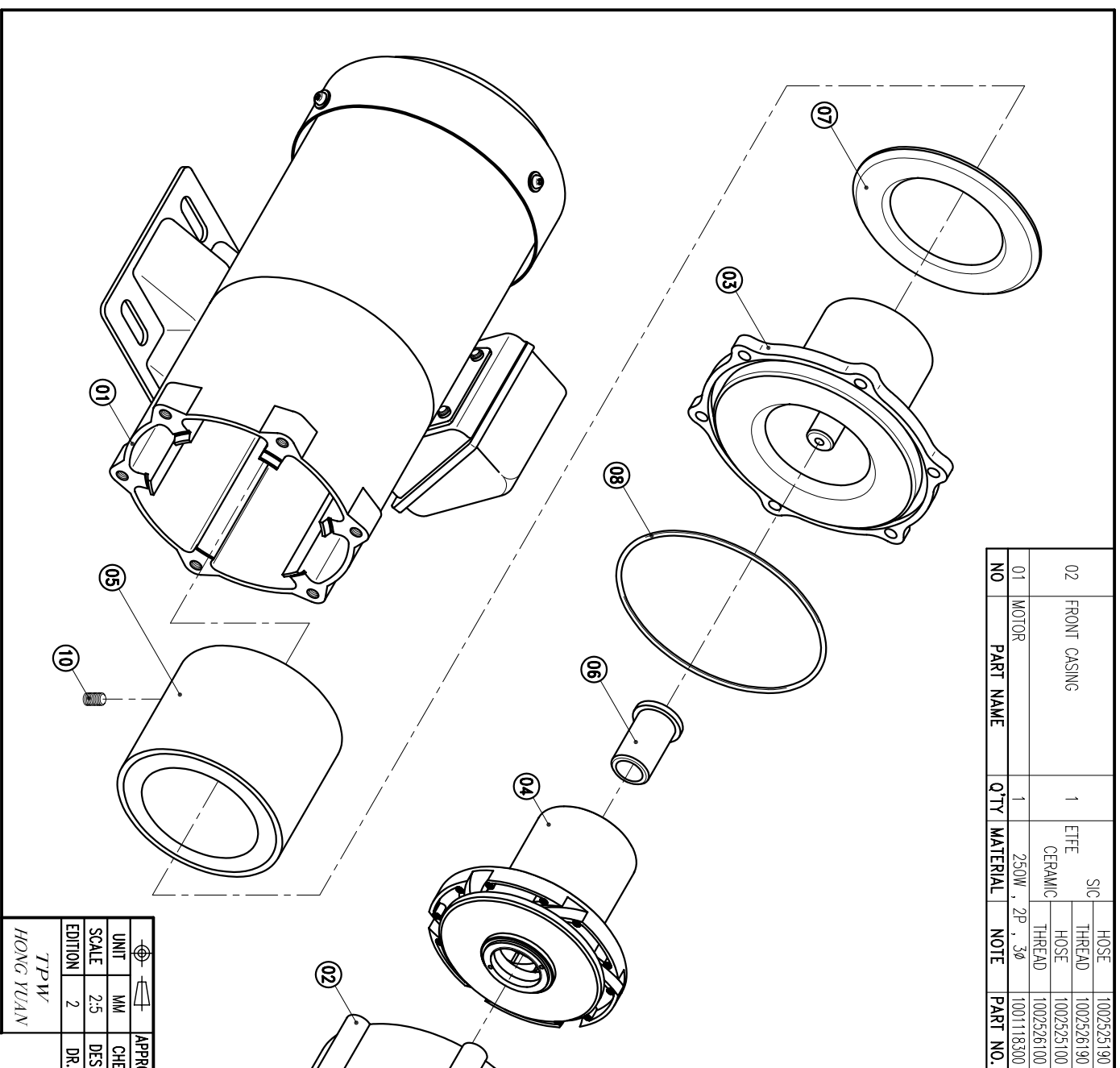


NO	PART NAME	Q'TY	MATERIAL	NOTE	PART NO.
02	FRONT CASING	1	ETFE CERAMIC	HOSE THREAD HOSE 1002525190 1002525100	
01	MOTOR	1	250W, 2P, 3ø		1001118300

10	SET SCREW	2	S435	M6X10	
09	HEXAGON HEAD BOLT w/PLAIN WASHER	6	SUS304	M6X55	
08	O. RING	1	FKM	G110	1002521100
07	BACK UP RING	1	SUS304	ø98X4.5	1001008600
			SIC		1031000900
06	BEARING	1	CERAMIC CARBON	ø25X35	
			RIULON		1001000900
05	OUTER DRIVE RING	1	ADC-12	ø66X86	1003411800
04	IMPELLER ASS'Y	1	ETFE		
03	REAR CASING	1	ETFE		1010000900
			SIC		1040000900
			CERAMIC		1040000900



UNIT	MM	APPROVED	CHECK	07 18 02	MDL NAME	NH-250PS-F-3
SCALE	2.5	DESIGN	03 15 02		DWG. NAME	DECOMPOSITION DRAWING
EDITION	2	DR.BY	07 18 02 BECKY		DWG. NO.	B3252159
						A3

HOSE: 26mm X 26mm  
 G : 1" X 1"  
 NPT : 1" X 1"

TPW  
HONG YUAN

PAN WORLD CO., LTD.  
 パンワールド株式会社