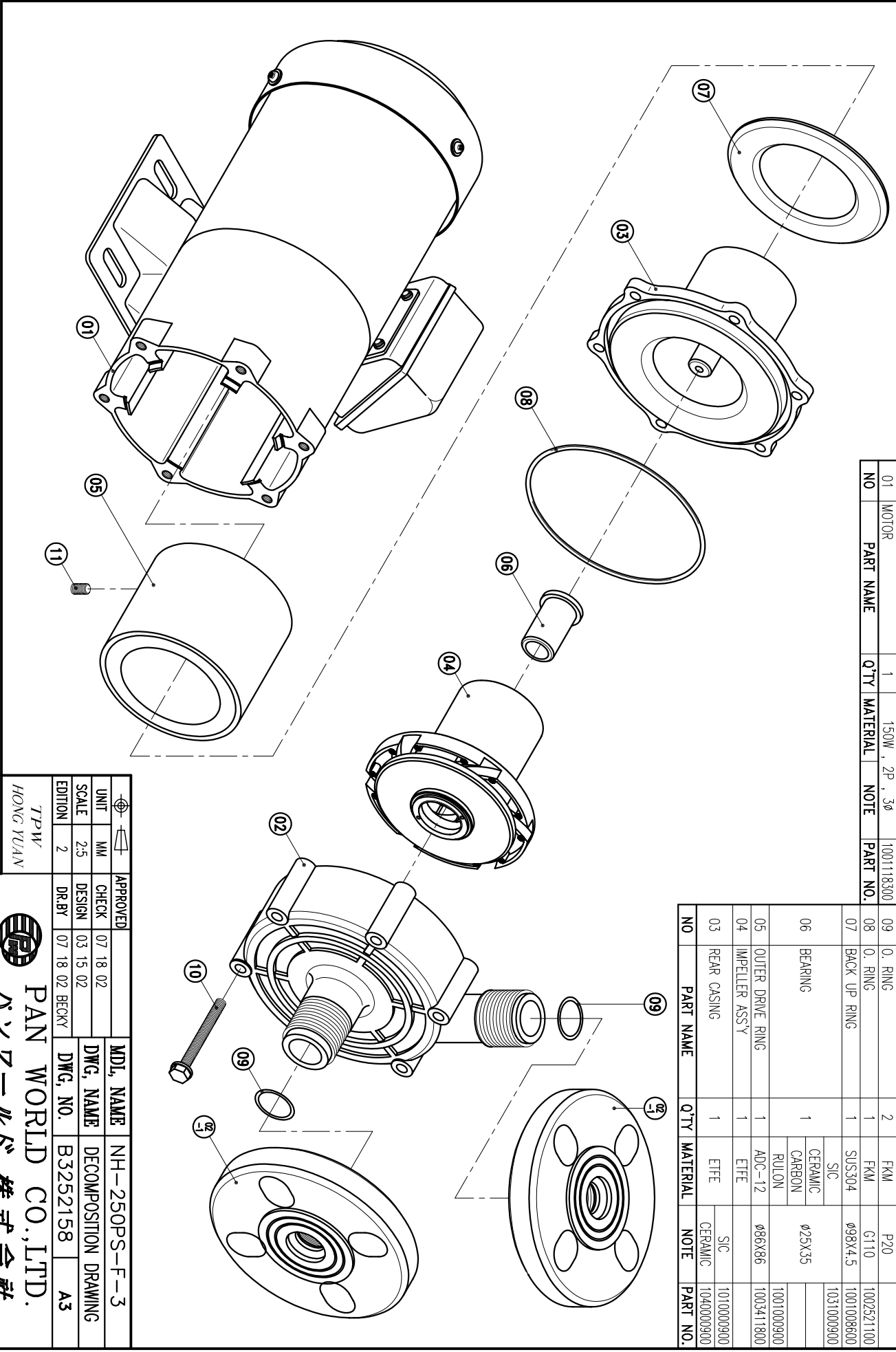


NO	PART NAME	QTY	MATERIAL	NOTE	PART NO.
02-1	FLANGE	2	ETFE	25A	1002928100
02	FRONT CASING	1	ETFE	SIC	1002928190
01	MOTOR	1	150W, 2P, 3ø	CERAMIC	1002928100
					1001118300

NO	PART NAME	QTY	MATERIAL	NOTE	PART NO.
11	SET SCREW	2	S435		M6X10
10	HEXAGON HEAD BOLT w/L PLAIN WASHER	6	SUS304		M6X55
09	O. RING	2	FKM		P20
08	O. RING	1	FKM		G110
07	BACK UP RING	1	SUS304		φ98X4.5
			SIC		10010009800
06	BEARING	1	CERAMIC CARBON RULON		φ25X35
					10010009900
05	OUTER DRIVE RING	1	ADC-12		φ86X86
04	IMPELLER ASS'Y	1	ETFE		
03	REAR CASING	1	ETFE		
			SIC		10100009900
			CERAMIC		10400009900



APPROVED	CHECK	07 18 02	MDL NAME	NH-250PS-F-3
			DWG. NAME	DECOMPOSITION DRAWING
			SCALE	2.5
			DESIGN	03 15 02
			DR.BY	07 18 02 BECKY
			EDITION	2
			DWG. NO.	B3252158
				A3

TPW  
HONG YUAN

**PAN WORLD CO., LTD.**  
パンワールド株式会社