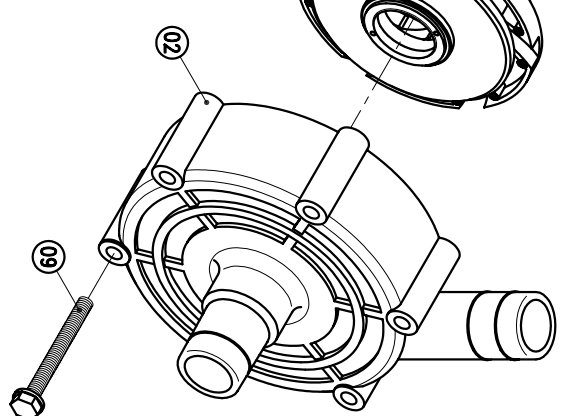
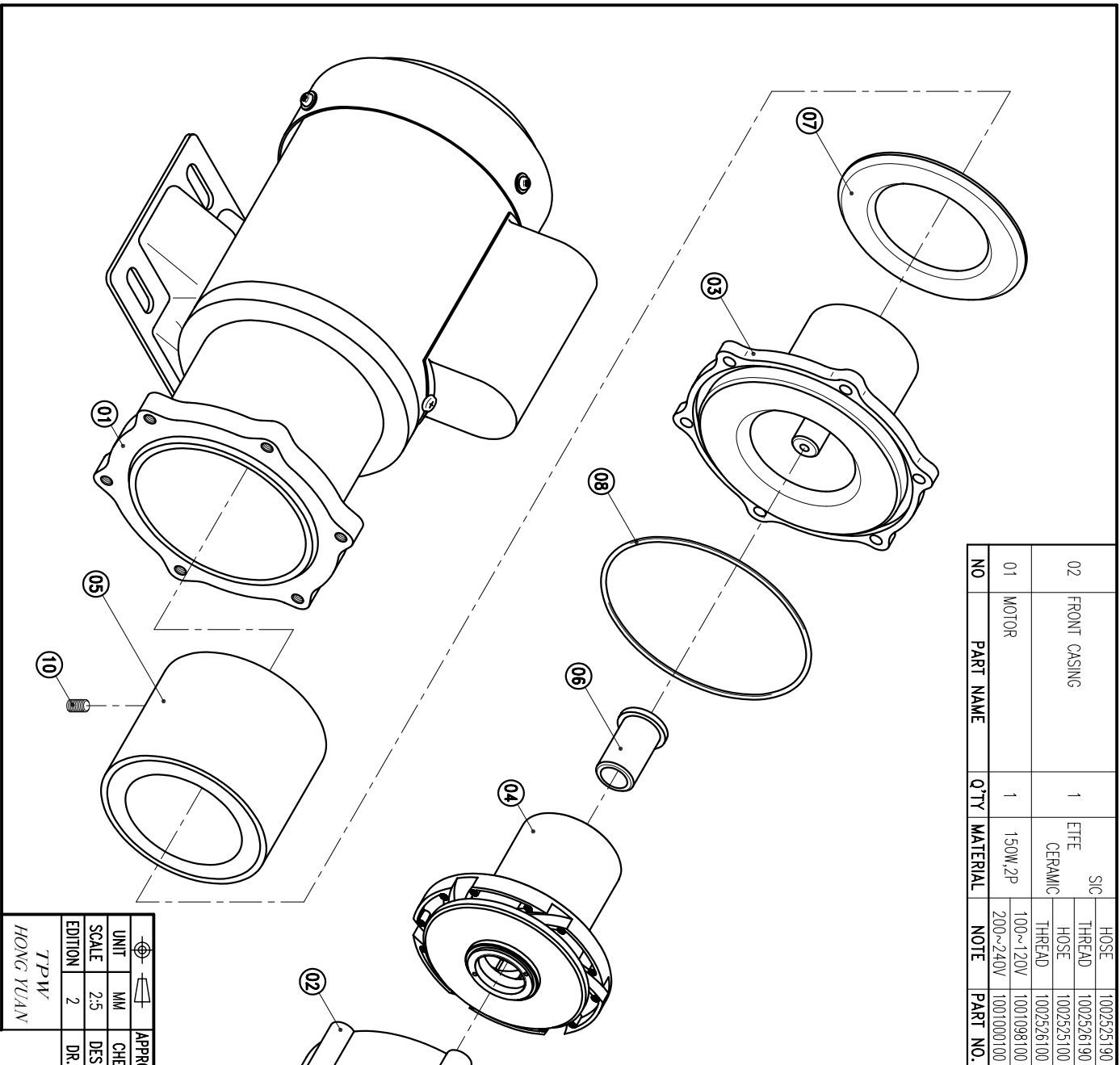


NO	PART NAME	Q'TY	MATERIAL	NOTE	PART NO.
02	FRONT CASING	1	ETFE CERAMIC	HOSE THREAD HOSE 1002525190 1002525100	
01	MOTOR	1	150W,2P	200~240V 1001098100 1001000100	

10	SET SCREW	2	S435	M6X10	
09	HEXAGON HEAD BOLT w/PLAIN WASHER	6	SUS304	M6X55	
08	O. RING	1	FKM	G110	10025271100
07	BACK UP RING	1	SUS304	φ98X4.5	10010086800
			SIC		10310009800
06	BEARING	1	CERAMIC CARBON RULON	φ25X35	
05	OUTER DRIVE RING	1	ADC-12	φ86X86	1003411800
04	IMPELLER ASS'Y	1	ETFE		
03	REAR CASING	1	ETFE		
			SIC		10100009800
			CERAMIC		10400009800



HOSE: 26mm X 26mm
G : 1" X 1"
NPT : 1" X 1"

UNIT	MM	APPROVED	CHECK	07 18 02	MDL NAME	NH-200PS-F
SCALE	2.5	DESIGN	03 15 02		DWG. NAME	DECOMPOSITION DRAWING
EDITION	2	DR.BY	07 18 02 BECKY		DWG. NO.	B3202936
						A3

TPW
HONG YUAN

PAN WORLD CO., LTD.
パンワールド株式会社