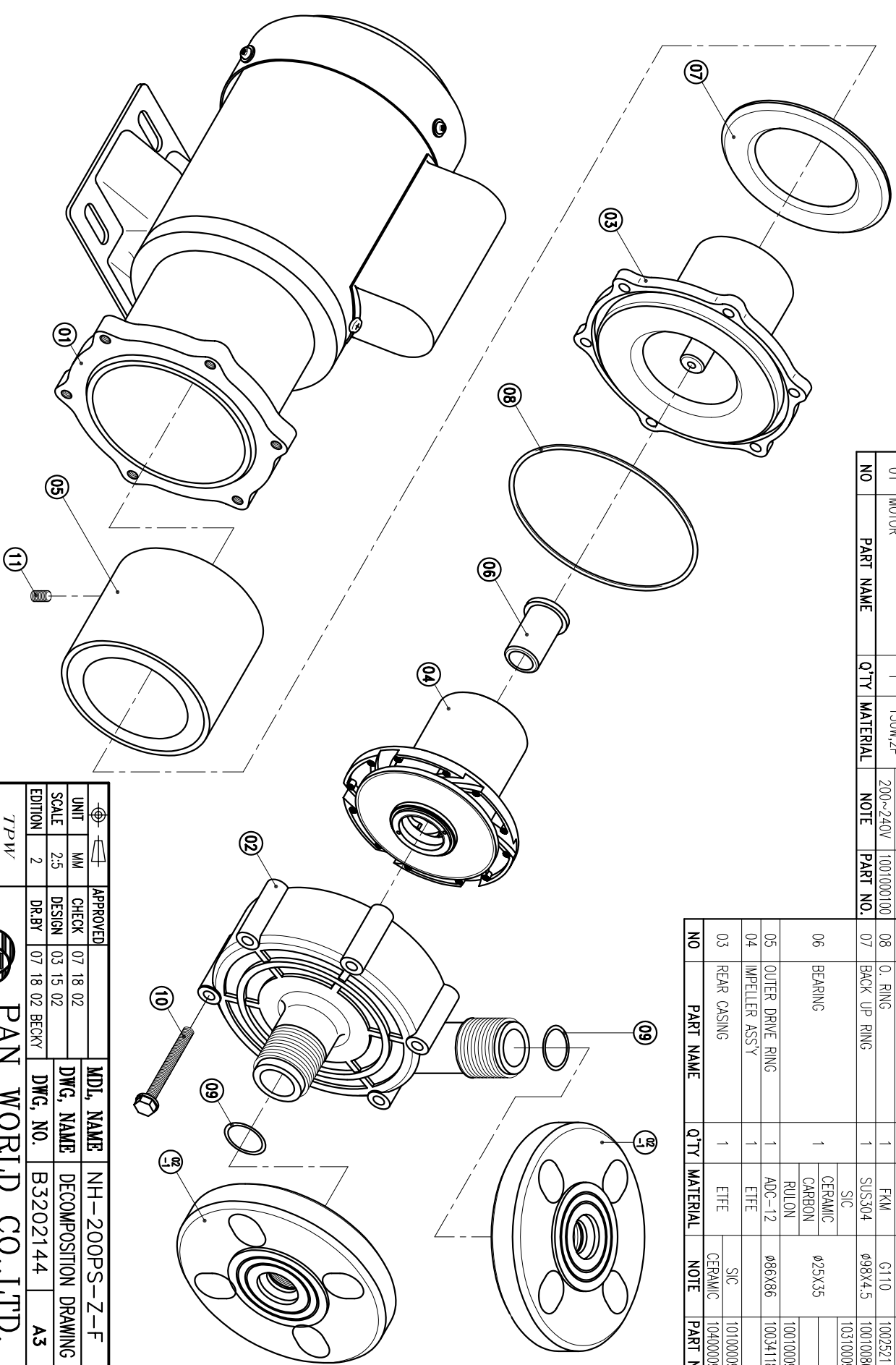


NO	PART NAME	QTY	MATERIAL	NOTE	PART NO.
02-1	FLANGE	2	ETFE	25A	1002928100
02	FRONT CASING	1	ETFE	SIC	1002928190
				CERAMIC	1002928100
01	MOTOR	1	150W,2P	100~120V	1001098100
				200~240V	1001000100
11	SET SCREW	2	S435		6X10
10	HEXAGON HEAD BOLT w/PLAIN WASHER	6	SUS304		6X55
09	O. RING	2	FKM	P20	
08	O. RING	1	FKM	G110	1002921100
07	BACK UP RING	1	SUS304	φ98X4.5	1001008600
			SIC		1031000900
06	BEARING	1	CERAMIC CARBON RULON	φ25X35	
05	OUTER DRIVE RING	1	ADC-12	φ86X86	1001000900
04	IMPELLER ASS'Y	1	ETFE		100341800
03	REAR CASING	1	ETFE	SIC	1010000900
				CERAMIC	1040000900

NO	PART NAME	QTY	MATERIAL	NOTE	PART NO.
02	FRONT CASING	1	ETFE		
01	MOTOR	1	150W,2P		
03	REAR CASING	1	ETFE		
04	IMPELLER ASS'Y	1	ETFE		
05	OUTER DRIVE RING	1	ADC-12		
06	BEARING	1	CERAMIC CARBON RULON		
07	BACK UP RING	1	SUS304		
08	O. RING	1	FKM		
09	O. RING	2	FKM		
10	HEXAGON HEAD BOLT w/PLAIN WASHER	6	SUS304		
11	SET SCREW	2	S435		



APPROVED	CHECK	07 18 02	MDL NAME	NH-200PS-Z-F
			DWG. NAME	DECOMPOSITION DRAWING
			DWG. NO.	B3202144
			DR.BY	07 18 02 BECKY
			EDITION	2
			SCALE	2.5
			UNIT	MM

TPW  
HONG YUAN

**PAN WORLD CO.,LTD.**  
パナワールド株式会社