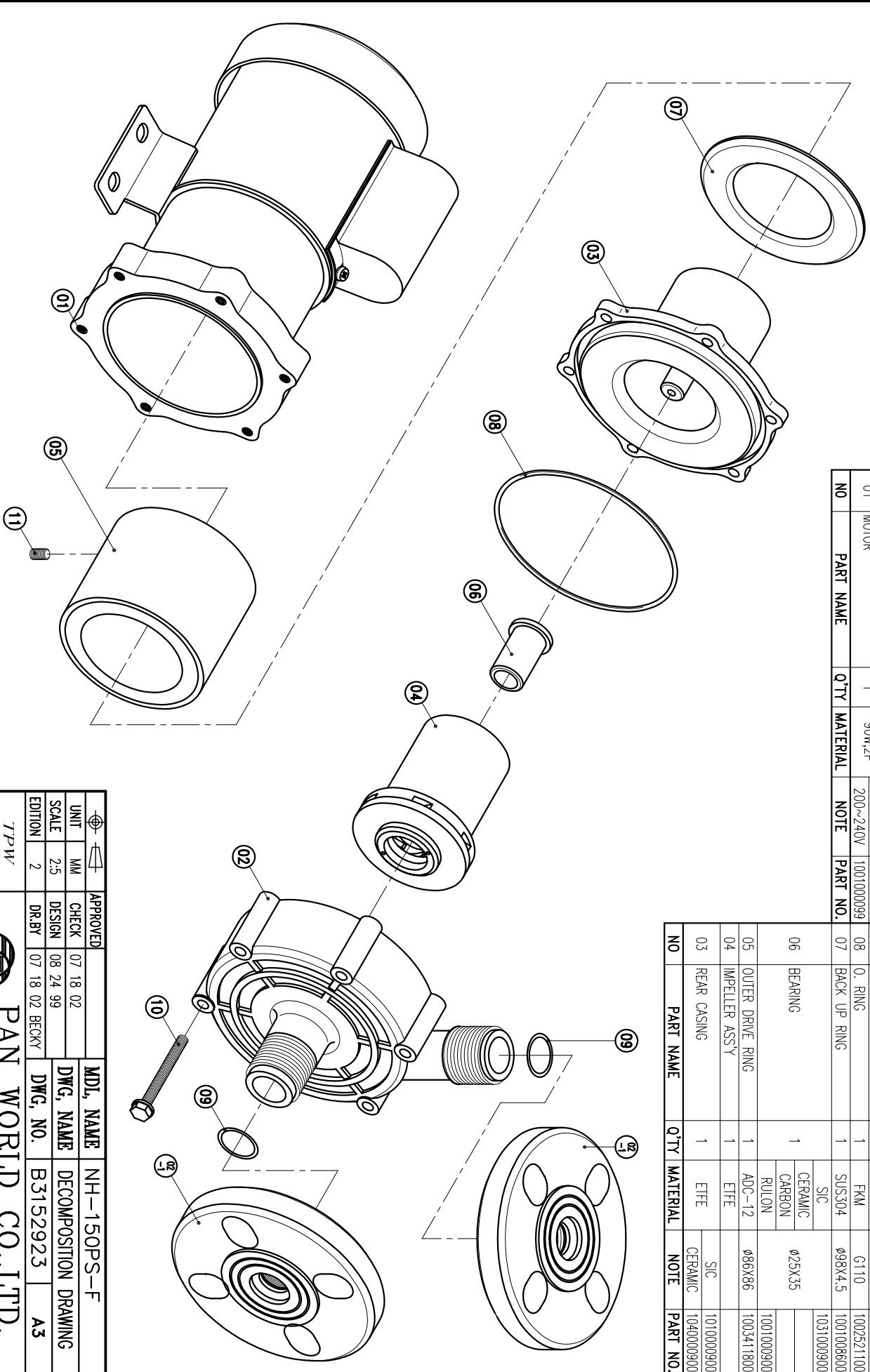


NO	PART NAME	QTY	MATERIAL	NOTE	PART NO.
02-1	FLANGE	2	ETFE	25A	1002928100
02	FRONT CASING	1	ETFE	SIC	1002928190
				CERAMIC	1002928100
01	MOTOR	1	90W, 2P	100~120V	1001098099
				200~240V	1001000099
11	SET SCREW	2	S435		6K110
10	HEXAGON HEAD BOLT w/PLAIN WASHER	6	SUS304	6KX55	
09	O. RING	2	FKM	P20	
08	O. RING	1	FKM	G110	1002921100
07	BACK UP RING	1	SUS304	φ98X4.5	1001009800
			SIC		1031000900
06	BEARING	1	CERAMIC CARBON RULON	φ25X35	
05	OUTER DRIVE RING	1	ADC-12	φ86X86	1001000900
04	IMPELLER ASS'Y	1	ETFE		1003411800
03	REAR CASING	1	ETFE	SIC	1010000900
				CERAMIC	1040000900

NO	PART NAME	QTY	MATERIAL	NOTE	PART NO.
02	FRONT CASING	1	ETFE		
01	MOTOR	1	90W, 2P		
03	REAR CASING	1	ETFE		
04	IMPELLER ASS'Y	1	ETFE		
05	OUTER DRIVE RING	1	ADC-12		
06	BEARING	1	CERAMIC CARBON RULON		
07	BACK UP RING	1	SUS304		
08	O. RING	1	FKM		
09	O. RING	2	FKM		
10	HEXAGON HEAD BOLT w/PLAIN WASHER	6	SUS304		
11	SET SCREW	2	S435		



APPROVED	CHECK	07 18 02	MDL NAME	NH-150PS-F
	DESIGN	08 24 99	DWG. NAME	DECOMPOSITION DRAWING
	DR.BY	07 18 02 BECKY	DWG. NO.	B3152923
	EDITION	2		A3

TPW
HONG YUAN

PAN WORLD CO., LTD.
PANワールド株式会社