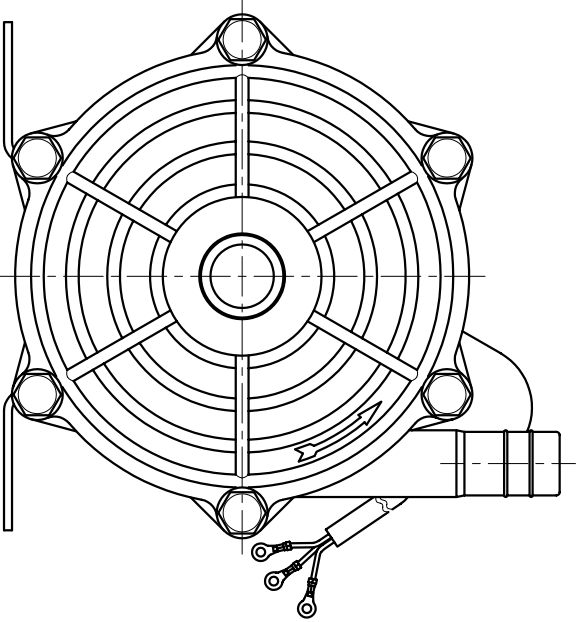
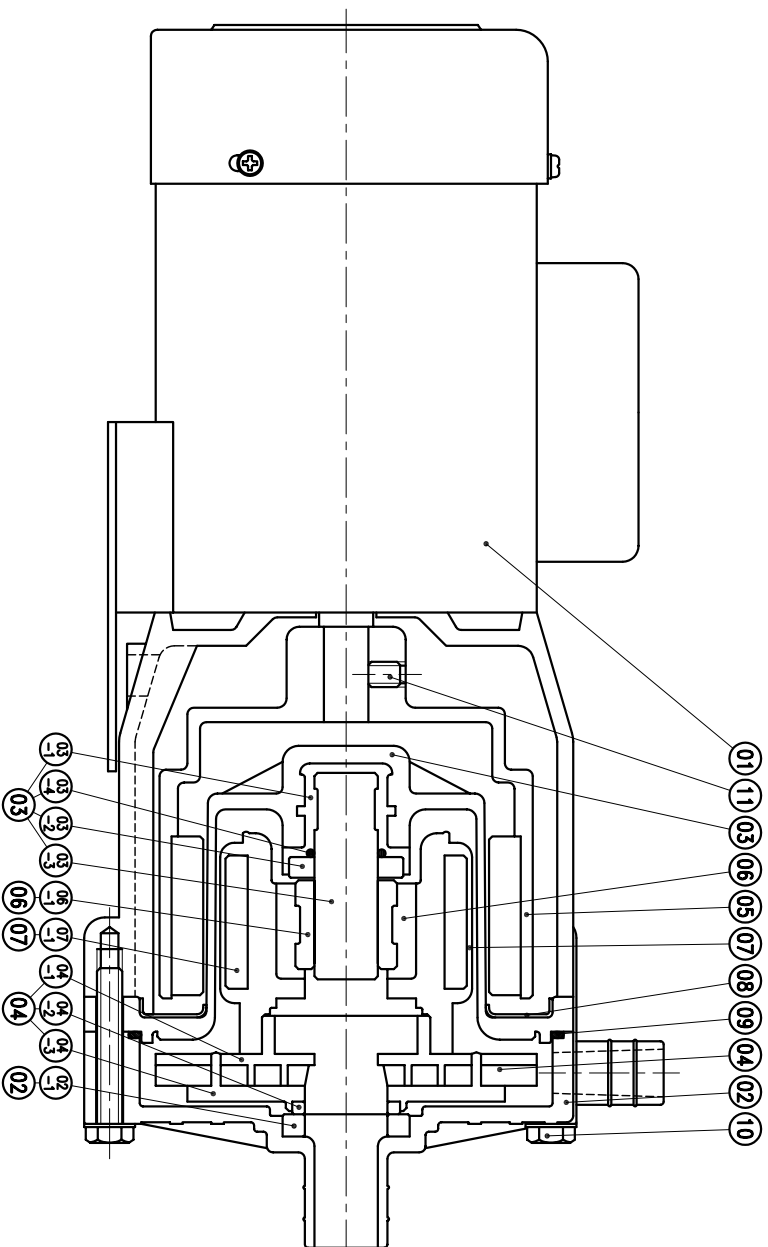


03-2	REAR THRUST PAD	1	SIC	φ36X6.5	P2329095
03-1	SPINDLE HOLDER	1	CERAMIC	φ40X68	P2379093
03	REAR CASING	1	ETFE	φ149X33.5	A2302259
02-1	FRONT THRUST PAD	1	SIC	φ40X7	P2222106
02	FRONT CASING	1	ETFE	φ149X68	A2202258
01	MOTOR	1	350W, 2P 100~120V, 200~240V		A2202258

06	BEARING ASSY	1	ETFE	φ44X31	P2469076	11	SET SCREW	S435	M8X10	P9119160
05	OUTER DRIVE RING	1	AOC-12	φ117.5X119	P2509075	10	HEXAGON HEAD BOLT w/ t. P.W.(φ15.5Xφ8.4Xt1)	SUS304	M8X50	P9113079
04-3	IMPELLER COVER	1	ETFE	φ100X20	P2452117	09	O. RING	FKM	φ129.4Xφ3.1	G130
04-2	MOUTH RING	1	RUION	φ34X5	P2422112	08	BACK UP RING	SUS304	φ130X6	A2112260
04-1	IMPELLER NOUUMENON	1	ETFE	φ120X22	A2412257	07-1	INNER MAGNET	FERRITE	φ76X44.5	P2449101
04	IMPELLER ASSY	1	ETFE		A2402307	07	INNER DRIVE RING	ETFE	φ79.6X71	P2439077
03-4	O. RING	1	FKM	φ19.8Xφ2.4	P20	06-1	BEARING	SIC	φ32X28	P2469100
03-3	SPINDLE	1	CERAMIC	φ20X65	P2339096			CERAMIC		P2469100
								ALUMINUM		P2469100
								BRASS		P2469100
								STEEL		P2469100



G : 3/4" X 1"
NPT : 3/4" X 1"

APPROVED		MDL. NAME	NH-300PS-F
CHECK	08 21 02	DWG. NAME	CONSTRUCTION DRAWING
DESIGN	03 31 01	DWG. NO.	B2302770
DR. BY	08 21 02 BECKY		A3

TPW
HONG YUAN



PAN WORLD CO., LTD.
パンワールド株式会社