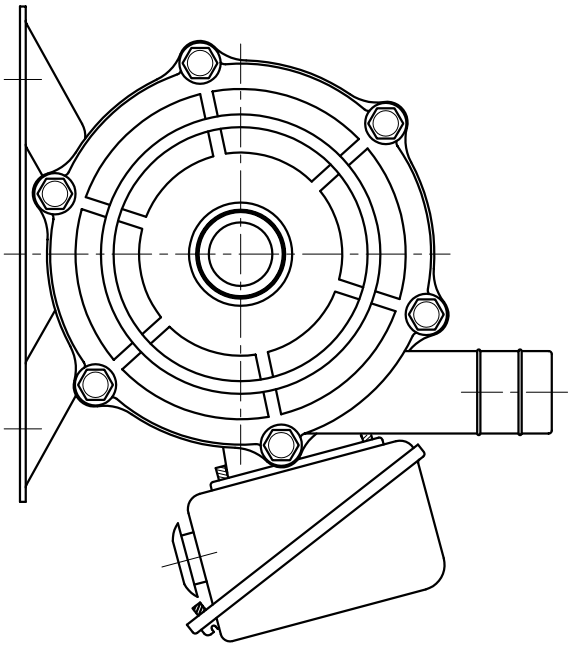
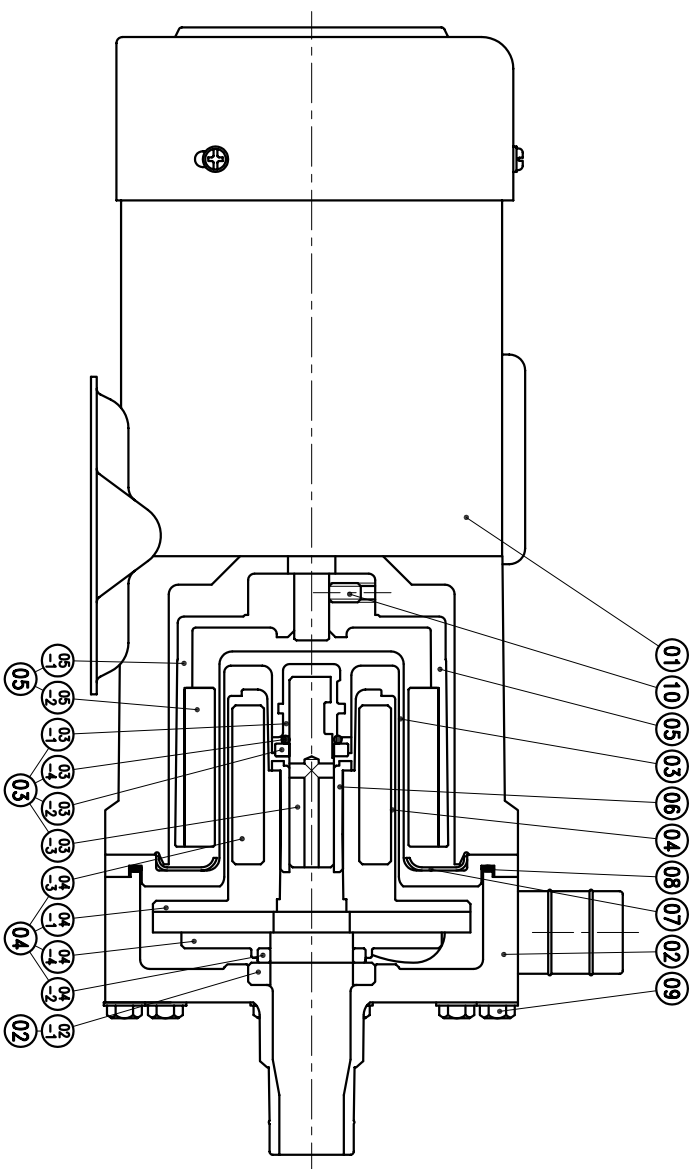


03-2	REAR THRUST PAD	1	CERAMIC	φ23X4	P2322109	04-4	IMPELLER COVER	1	ETFE	φ100X20	P2452117	10	SET SCREW	2	S435	M6X10	P9116430
03-1	SPINDLE HOLDER	1	ETFE	φ25X64	A2372356	04-3	INNER MAGNET	1	FERRITE	φ50X50	P2442113	09	HEXAGON HEAD BOLT	6	SUS304	M6X55	P9119009
03	REAR CASING	1	ETFE	φ123.5X74	P2302062	04-2	MOUTH RING	1	RUON	φ34X5	P2422112		w/1. P.W (φ11.5Xφ6.4X1.6)				
02-1	FRONT THRUST PAD	1	SIC	φ40X7	P2222106	04-1	IMPELLER VANE	1	ETFE	φ100X76.5	P2412111	08	O. RING	1	FKM	φ109.4Xφ3.1	G110
02	FRONT CASING	1	CERAMIC			04	IMPELLER ASS'Y	1	ETFE		P2402063	07	BACK UP RING	1	SUS304	φ98X4.5	P2112067
01	MOTOR	1	ETFE	φ123.5X87.5	P2202061	03-4	O. RING	1	TEFLON	φ13.8Xφ2.4	P14	06	BEARING	1	SIC	φ25X35	P246207
			250W, 2P 3φ 200/400V, 220/380V			03-3	SPINDLE	1	CERAMIC	φ14X60	P2332110	05-2	OUTER MAGNET	1	FERRITE	φ80X50	P2522116
												05-1	MAGNET HOUSING	1	ADC-12	φ86X86	P2512114
												05	OUTER DRIVE RING	1	φ86X86		P2509064



G : 1"X 1"
NPT : 1"X 1"

APPROVED		MDL NAME	NH-250PS-F-3
CHECK	07 18 02	DWG. NAME	CONSTRUCTION DRAWING
DESIGN	10 09 98	DWG. NO.	B2252476
DR.BY	07 18 02 BECKY		A3

TPW
HONG YUAN



PAN WORLD CO., LTD.
パンワールド株式会社