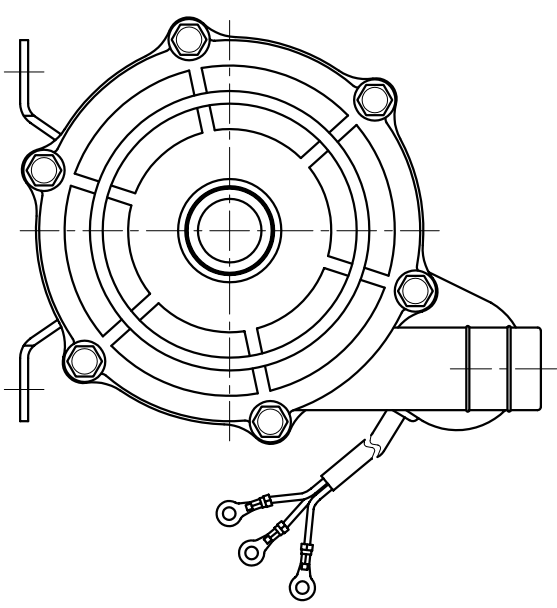
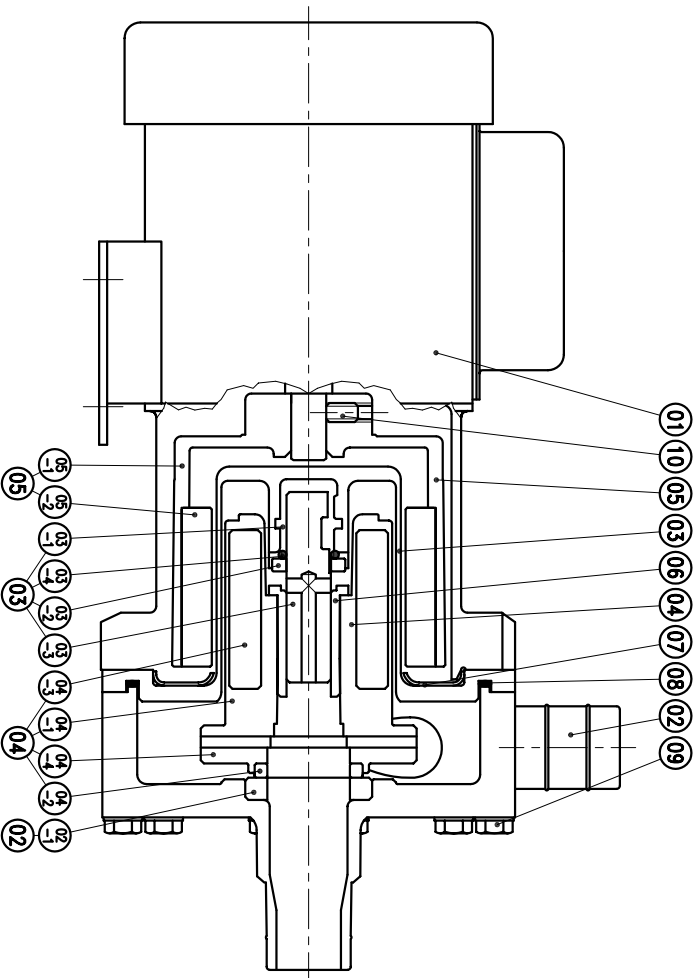


03-2	REAR THRUST PAD	1	SIC	φ23X4	P2322109	04-4	IMPELLER COVER	1	ETFE	φ100X20	P2452117	10	SET SCREW	2	S435	M6X10	P9116430
03-1	SPINDLE HOLDER	1	CERAMIC		A2372356	04-3	INNER MAGNET	1	FERRITE	φ50X50	P2442113	09	HEXAGON HEAD BOLT	6	SUS304	M6X55	P9119009
03	REAR CASING	1	ETFE	φ25X64	P2302062	04-2	MOUTH RING	1	RUION	φ34X5	P2422112	08	W/L P.W (φ11.5Xφ6.4X1.6)	1	FKW	φ109.4Xφ3.1	G110
02-1	FRONT THRUST PAD	1	SIC	φ40X7	P2222106	04-1	IMPELLER VANE	1	ETFE	φ100X76.5	P2412111	07	O. RING	1	SUS304	φ98X4.5	P2112067
02	FRONT CASING	1	CERAMIC		P2202061	03-4	O. RING	1	TEFLON	φ13.8Xφ2.4	P14	06	BEARING	1	SIC	φ25X35	P2422117
01	MOTOR	1	ETFE	φ123.5X87.5	P2202061	03-3	SPINDLE	1	CERAMIC	φ14X60	P2332110	05-2	OUTER MAGNET	1	FERRITE	φ80X50	P2512114
			90W , 2P	100~120V,200~240V								05-1	MAGNET HOUSING	1	ADC-12	φ86X86	P2512114
												05	OUTER DRIVE RING	1	φ86X86		P2509064

NO	PART NAME	QTY	MATERIAL	NOTE	DWG. NO.
05	OUTER DRIVE RING	1		φ86X86	P2509064
06	BEARING	1	SIC	φ25X35	P2422117
07	BACK UP RING	1	SUS304	φ98X4.5	P2112067
08	O. RING	1	FKW	φ109.4Xφ3.1	G110
09	W/L P.W (φ11.5Xφ6.4X1.6)	1			
10	SET SCREW	2	S435	M6X10	P9116430



G : 1"X 1"
NPT : 1"X 1"

APPROVED		MDL NAME	NH-150PS-F
CHECK	07 16 02	DWG. NAME	CONSTRUCTION DRAWING
DESIGN	08 24 99	DWG. NO.	B2152921
DR.BY	07 16 02 BECKY		A3

TPW
HONG YUAN



PAN WORLD CO., LTD.
PANワールド株式会社