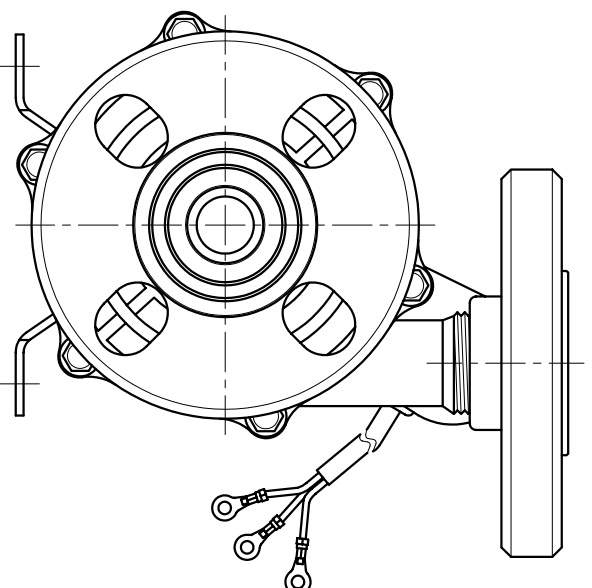
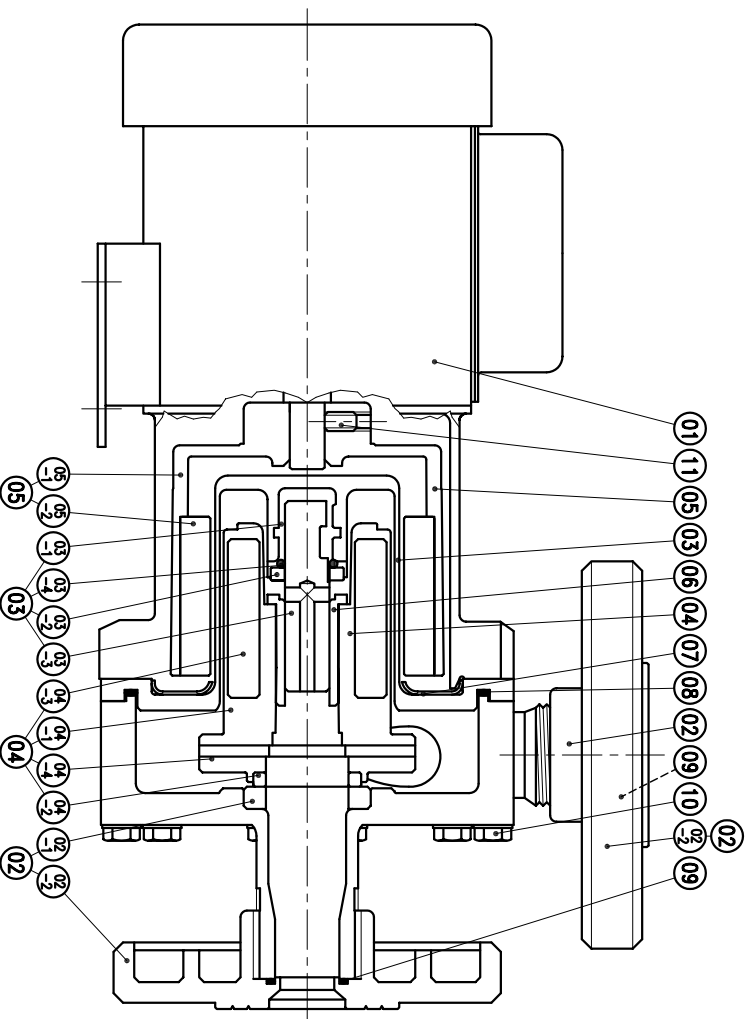


03-1	SPINDLE HOLDER	1	EFTE	φ25X64	A2372356
03	REAR CASING	1	EFTE	φ123.5X74	P2302062
02-2	FLANGE	2	EFTE	25A	P2232756
02-1	FRONT THRUST PAD	1	SIC	φ40X7	P2222106
02	FRONT CASING	1	EFTE	φ123.5X87.5	P2202061
01	MOTOR	1	90W , 2P	100~120V,200~240V	
NO	PART NAME	Q'TY	MATERIAL	NOTE	DWG. NO.

04-4	IMPELLER COVER	1	EFTE	φ100X20	P2452117
04-3	INNER MAGNET	1	FERRITE	φ50X50	P2442113
04-2	MOUTH RING	1	ROLON	φ34X5	P2422112
04-1	IMPELLER VANE	1	EFTE	φ100X76.5	P2412111
04	IMPELLER ASS'Y	1	EFTE		P2402063
03-4	O. RING	1	TEFLON	φ13.8Xφ2.4	P14
03-3	SPINDLE	1	SIC	φ14X60	P2332110
03-2	REAR THRUST PAD	1	CERAMIC	φ23X4	P2322109
NO	PART NAME	Q'TY	MATERIAL	NOTE	DWG. NO.

11	SET SCREW	2	S435	M6X10	P9116430
10	HEXAGON HEAD BOLT w/L P.W (φ11.5Xφ6.4X11.6)	6	SUS304	M6X55	P9119009
09	O. RING	2	FKM	φ19.8Xφ2.4	P20
08	O. RING	1	FKM	φ109.4Xφ3.1	G110
07	BACK UP RING	1	SUS304	φ98X4.5	P2112067
06	BEARING	1	SIC CERAMIC ROLON	φ25X35	P246637 P246636 P246635 P2462065
05-2	OUTER MAGNET	1	FERRITE	φ80X50	P2522116
05-1	MAGNET HOUSING	1	ADC-12	φ86X86	P2512114
05	OUTER DRIVE RING	1		φ86X86	P2509064
NO	PART NAME	Q'TY	MATERIAL	NOTE	DWG. NO.



APPROVED	MDL NAME	NH-150PS-F
CHECK	DWG. NAME	CONSTRUCTION DRAWING
DESIGN	DWG. NO.	B2152826
DR.BY		A3
EDITION		2
SCALE		3:5
UNIT		MM

TPW
HONG YUAN



PAN WORLD CO., LTD.
パンワールド株式会社