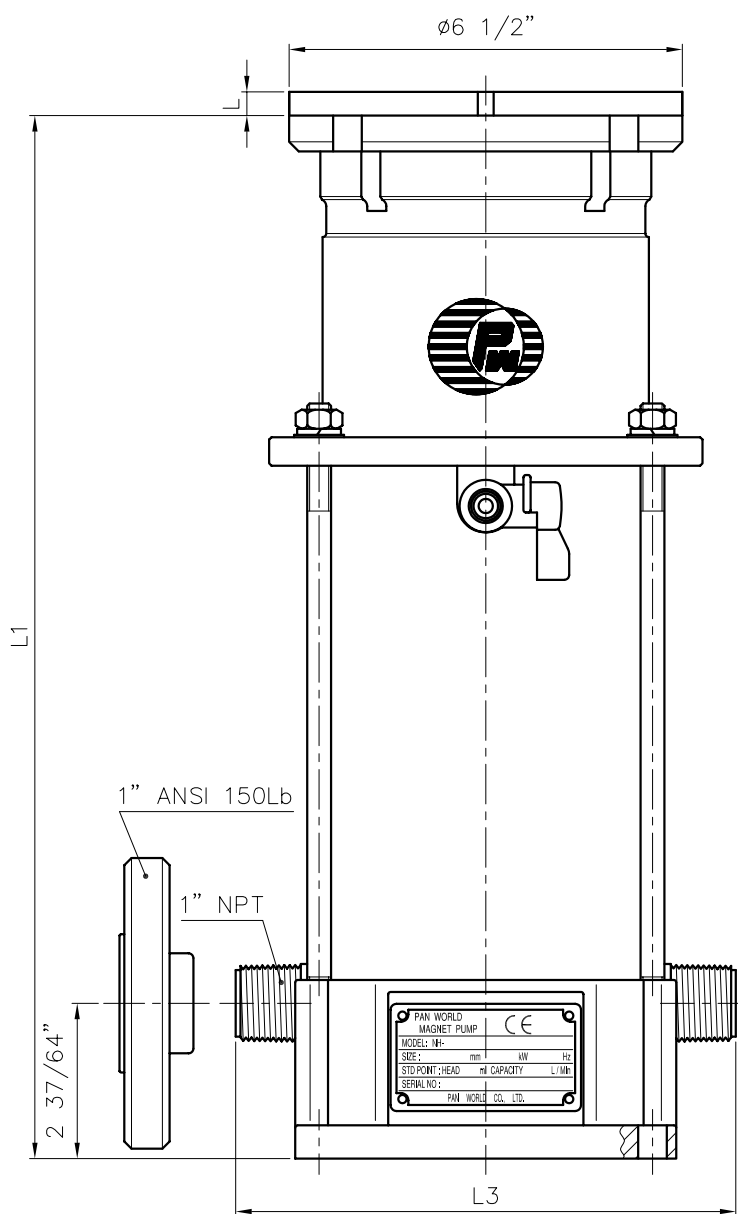


Table 1.

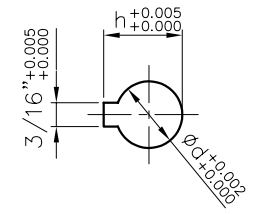
Required Motor	L1	L	d	h
0.37 kW	*	*	*	*
0.75 kW	*	*	*	*
1.5 kW	17 17/64"	13/32"	7/8"	31/32"
2.2 kW	17 17/64"	13/32"	7/8"	31/32"

Table 3.

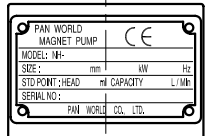
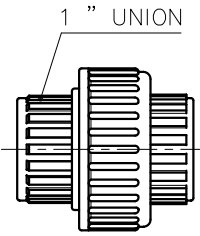
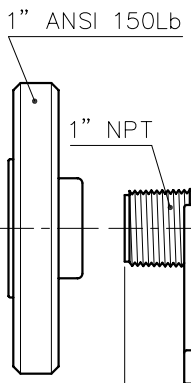
-	NPT Thread	Union	Flange
L3	8 17/64"	10 53/64"	9 9/64"



(L:1.5kW/2.2kW=2 1/4")



SCALE = 2:1



APPROVED		MDL, NAME		NH-250PMV-7 (NEMA)	
UNIT	INCH	CHECK	11 12 05	DWG, NAME	INSTALLATION DRAWING
SCALE	9:20	DESIGN	05 03 95	DWG, NO.	B1258275
EDITION	1	DR.BY	11 12 05 BECKY		A3

DIMENSION TOLERANCE : JIS 16 CLASS

TPW HONG YUAN

PAN WORLD CO.,LTD.
 パンワールド 株式会社