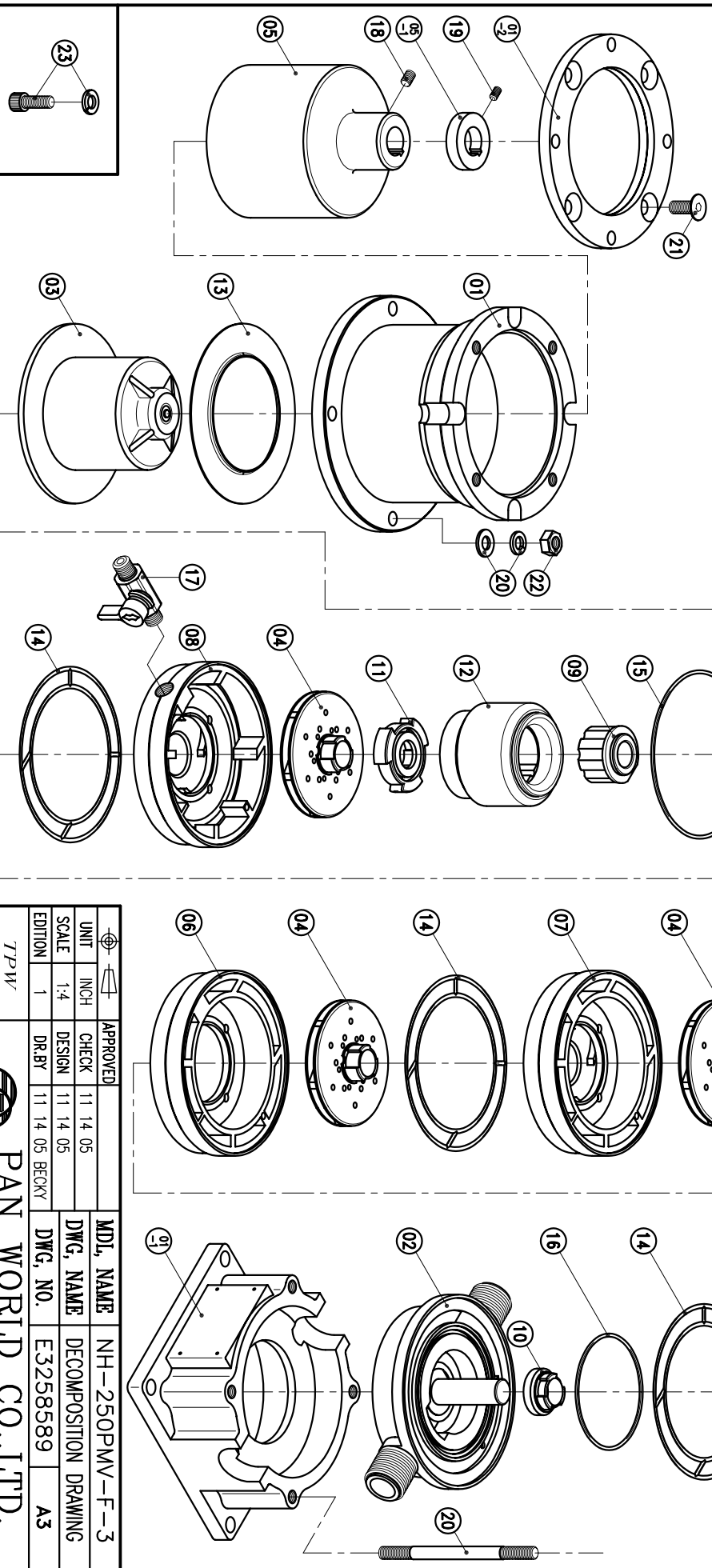


NO	PART NAME	Q'TY	MATERIAL	NOTE	PART NO.
05-1	RING	1	S45C	1.5 kW 0.75 kW 0.37 kW	
05	OUTER DRIVE RING	1	FCD-45 FCD-45 ADC-12	1.5 kW 0.75 kW 0.37 kW	1007010720 100311800 100301800
04	IMPELLER ASS'Y	3	ETFE		1007010410
03	REAR CASING ASS'Y	1	ETFE	φ139X93.3	1007010200
02	FRONT CASING	1	ETFE	210X48	1007012300
01-2	TRANSITION FLANGE	1	FC-20	1.5 kW 0.75 kW 0.37 kW	
01-1	BASE PLATE	1	FC-20	170X160X75	1007010600
01	BRACKET	1	ADC-12	0.75 kW 0.37 kW	1007010501 1007010500
16	O. RING	1	FKM	G30	1007012701
15	O. RING	1	FKM	G130	1007012700
14	CHAMBER GASKET	3	FKM	φ129.4Xφ3.1	
13	BACK UP RING	1	SPCC	φ139X4	1007010300
12	INNER DRIVE RING	1	Nd-Fe-B Sr.FERRITE Bo.FERRITE	1.5 kW 0.75 kW 0.37 kW	1007112352 1003912371 1003912370
11	CLUTCH	1	ETFE	φ58X12.5	1007010400
10	FRONT THRUST BEARING	1	ETFE	φ36X18	1003010811
09	BEARING ASS'Y	1	ETFE	φ44X31	1003010812
08	LAST CASING	1	ETFE	φ143X40	1007010422
07	MID CASING	1	ETFE	φ143X40	1007010420
06	FRST CASING	1	ETFE	φ143X32.5	1007010421
23	HEXAGON SOCKET BOLT w/t S.W.(3/8")(MOTOR)	4	SUS304	3/8" - 16X1"	
22	NUT	4	SUS304	M10	
21	COUNTER SUNK HEAD BOLT (0.75kW / 1.5kW) HEXAGON SOCKET BOLT w/t S.W.(M8)(0.37kW)	4	S435 SUS304	M8X25 M8X20	
20	STUD BLOT	4	SUS304	M10X145	1007010900
19	SET SCREW	2	S45C	M6X10	
18	SET SCREW	2	S45C	M8X10	
17	EXHAUST VALVE	1			



APPROVED	CHECK	DESIGN	DR.BY	MDL NAME	DECOMPOSITION DRAWING
11 14 05	11 14 05	11 14 05	11 14 05 BECKY	NH-250PMV-F-3	
11 14 05	11 14 05	11 14 05		DWG, NAME	
11 14 05	11 14 05	11 14 05		DWG, NO.	E3258589
11 14 05	11 14 05	11 14 05		EDITION	A3

TPW
HONG YUAN

PAN WORLD CO.,LTD.
パンワールド株式会社