

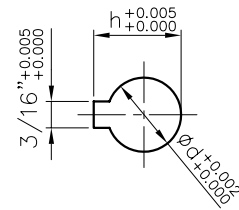
Table 1.

Required Motor	L1	L	d	h
0.37 kW	11 53/64"	57/64"	5/8"	23/32"
0.75 kW	12 3/8"	31/64"	5/8"	23/32"
1.5 kW	12 5/8"	13/32"	7/8"	31/32"
2.2 kW	*	*	*	*

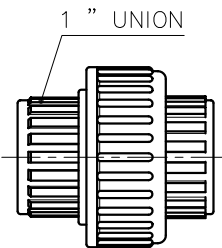
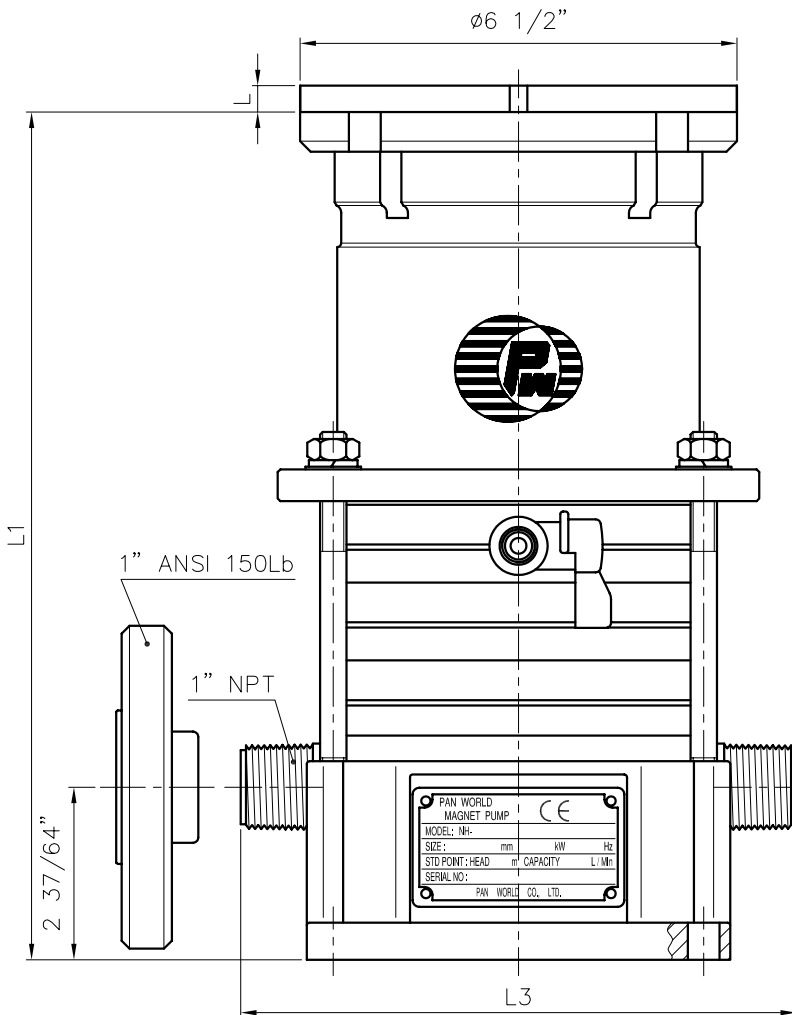
Table 3.

-	NPT Thread	Union	Flange
L3	8 17/64"	10 53/64"	9 9/64"

(L:0.37kW/0.75kW=1 7/8" , 1.5kW=2 1/4")



SCALE = 2:1



APPROVED	MDL, NAME	NH-250PMV-3 (NEMA)	
UNIT INCH	CHECK	11 12 05	
SCALE 1:2	DESIGN	05 03 95	
EDITION 2	DR.BY	11 12 05 BECKY	
	DWG, NAME	INSTALLATION DRAWING	
	DWG, NO.	B1258265	A3

DIMENSION TOLERANCE : JIS 16 CLASS

TPW
HONG YUAN



PAN WORLD CO.,LTD.
パンワールド株式会社