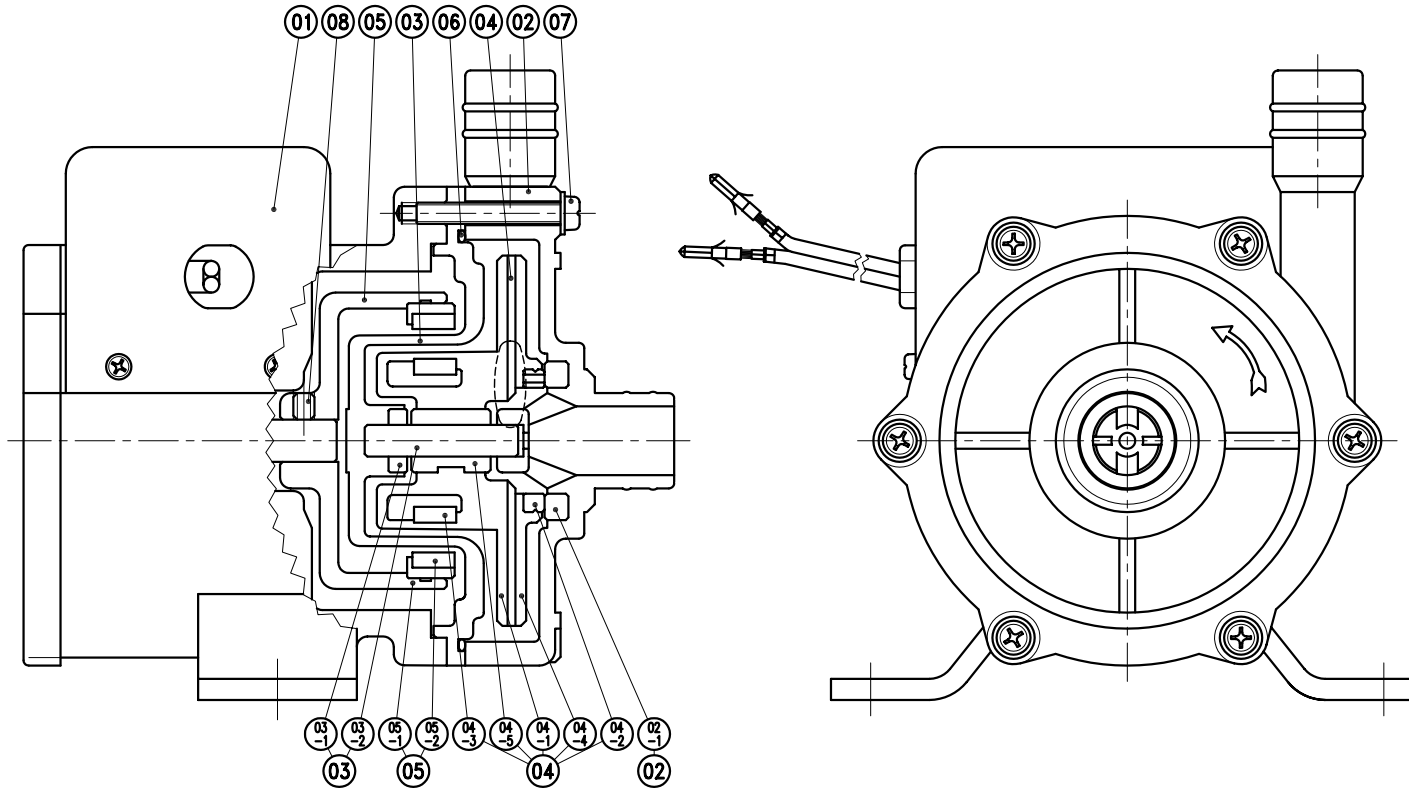



03-2	SPINDLE	1	CERAMIC	∅6X29	A2331586	04-5	BEARING	1	CARBON	∅12X∅6X15	A2461591	08	SET SCREW	2	S435	M4X4	
03-1	REAR THRUST PAD	1	CERAMIC	∅12X∅6X3.5	A2321585	04-4	IMPELLER COVER	1	PPG	∅70X6	A2451590	07	SCREW,CROSS RECESS HEAD w/t P.W.(∅8X∅4.3X10.8)	6	SUS304	M4X28	
03	REAR CASING	1	PPO	∅86X26	A2301583	04-3	INNER MAGNET	1	Nd-Fe-B	∅31X14	A2441587	06	O. RING	1	FKM	∅74.5X∅2	S75
02-1	FRONT THRUST PAD	1	CERAMIC	∅30X∅20X4.5	A2221584	04-2	MOUTH RING	1	RULON	∅27X∅20X4.5	P2421462	05-2	OUTER MAGNET	1	Nd-Fe-B	∅52X9	A2521594
02	FRONT CASING	1	PPO	∅86X40	A2201627	04-1	IMPELLER VANE	1	PPG	∅70X26	A2411589	05-1	MAGNET HOUSING	1	ADC-12	∅56X31.5	A2511593
01	MOTOR	BRUSHLESS , 45W , DC12V , DC24V				04	IMPELLER ASS'Y	1	PPG	∅67X32	A2401588	05	OUTER DRIVE RING	1		∅56X33	A2501592
NO	PART NAME	Q'TY	MATERIAL	NOTE	DWG. NO.	NO	PART NAME	Q'TY	MATERIAL	NOTE	DWG. NO.	NO	PART NAME	Q'TY	MATERIAL	NOTE	DWG. NO.



APPROVED		MDL, NAME	NH-30PI-Z-D		
UNIT	MM	CHECK	07 26 04		
SCALE	1:1	DESIGN	10 14 03		
EDITION	1	DR.BY	07 26 04 BECKY	DWG, NAME	CONSTRUCTION DRAWING
		DWG, NO.	E2031381	A3	
TPW HONG YUAN		 PAN WORLD CO.,LTD. パンワールド 株式会社			