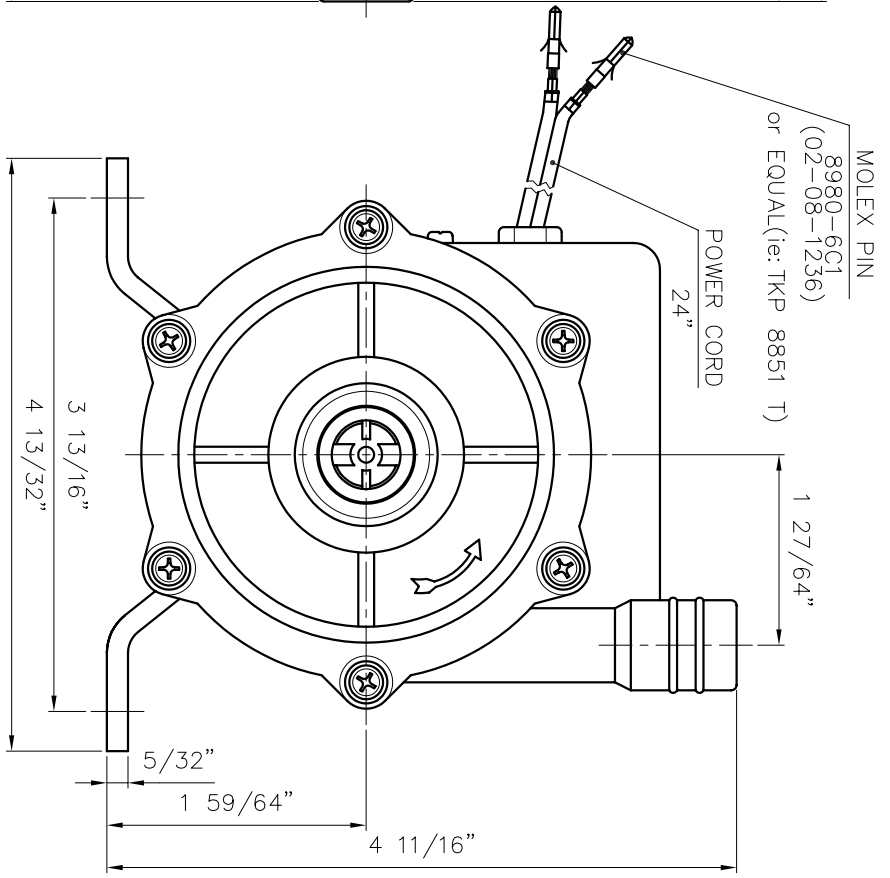


RED WIRE FOR "+"
BLACK WIRE FOR "-"



APPROVED		MDL NAME	NH-30PI-Z-D
CHECK	07 26 04	DWG. NAME	INSTALLATION DRAWING
DESIGN	10 14 03	DWG. NO.	E1031388
DR.BY	07 26 04 BECKY		A3

TPW
HONG YUAN

PAN WORLD CO., LTD.
パンワールド株式会社