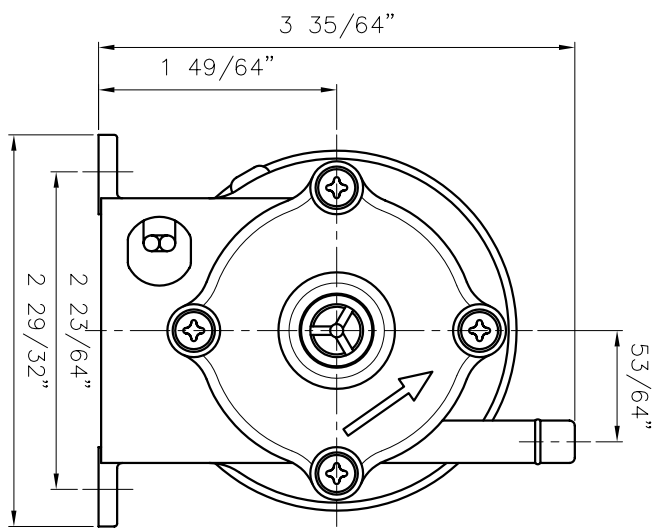
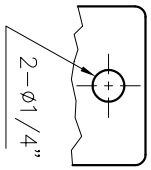


RED WIRE FOR "+"  
BLACK WIRE FOR "-"



|          |           |                      |
|----------|-----------|----------------------|
| APPROVED | MDL. NAME | NH-5PI-Z-D           |
| CHECK    | DWG. NAME | INSTALLATION DRAWING |
| DESIGN   | DWG. NO.  | E1001385             |
| DR. BY   |           | A3                   |
| EDITION  |           |                      |
| 1        |           |                      |
| UNIT     |           |                      |
| INCH     |           |                      |
| SCALE    |           |                      |
| 1:1      |           |                      |

TPW  
HONG YUAN



PAN WORLD CO., LTD.  
パンワールド株式会社