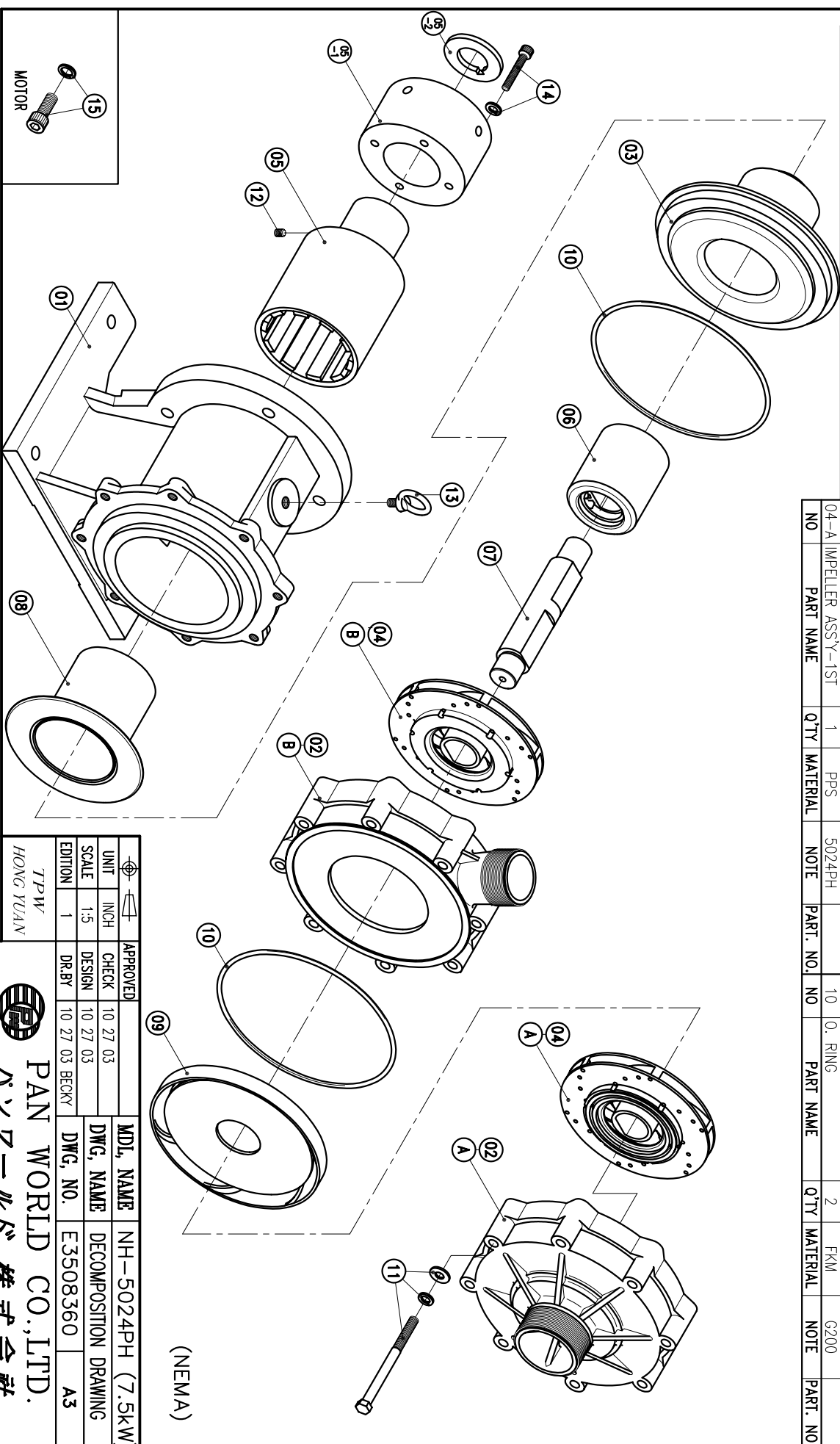


NO	PART NAME	Q'TY	MATERIAL	NOTE	PART. NO.	NO	PART NAME	Q'TY	MATERIAL	NOTE	PART. NO.	NO	PART NAME	Q'TY	MATERIAL	NOTE	PART. NO.
03	REAR CASING	1	PPS	CARBON		09	DEFUSER	1	PPS	φ195X18		15	HEXAGON SOCKET BOLT	4	SUS304	1/2"-13X1 1/4"	
02-B	CASING-2ND	1	PPS	φ226.5X59.5		08	REAR CASING COVER	1	CERAMIC	φ158X121		14	HEXAGON SOCKET BOLT	4	SUS304	M8X60	
02-A	FRONT CASING-1ST	1	PPS	THRUST PAD: CERAMIC BEARING: CARBON THRUST PAD: SIC BEARING: SIC		07	SPINDLE	1	SIC	φ38X198		13	w/1 SPRING WASHER	2	SUS304	M12X20	
01	BRACKET	1	FC-20	φ226.5X205		06	MAGNET CAPSULE	1	PPG	φ79.6X92		12	SET SCREW	2	S435	M8X10	
						05-2	RING	1	S45C	φ65X5.7		11	HEXAGON HEAD BOLT	8	SUS304	M10X120	
						05-1	FLY WHEEL	1	S45C	φ122X68			w/1 SPRING WASHER				
						05	DRIVE MAGNET	1	FCD-45	φ122X199			w/1 PLAIN WASHER				
						04-B	IMPELLER ASS'Y-2ND	1	PPS	5024PH							
						04-A	IMPELLER ASS'Y-1ST	1	PPS	5024PH		10	O. RING	2	FKM	G200	



APPROVED	CHECK	10 27 03	MDL NAME	NH-5024PH (7.5KW)
SCALE	DESIGN	10 27 03	DWG. NAME	DECOMPOSITION DRAWING
EDITION	DR.BY	10 27 03 BECKY	DWG. NO.	E3508360
				A3

TPW
HONG YUAN

PAN WORLD CO., LTD.
パンワールド株式会社