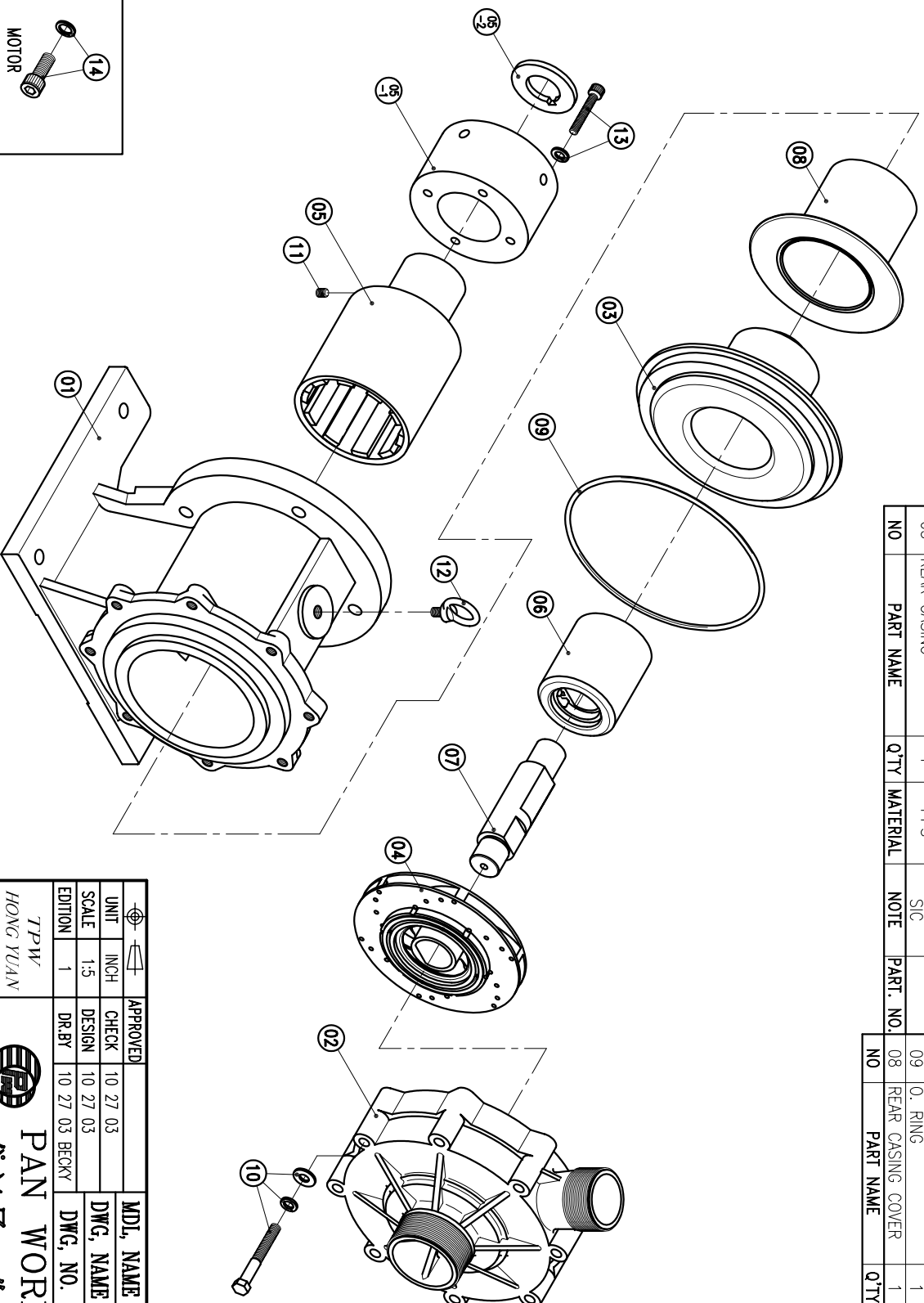


02	FRONT CASING	1	PPS	THRUST PAD: CERAMIC BEARING: CARBON THRUST PAD: SIC	
01	BRACKET	1	FC-20	φ226.5X205	

07	SPINDLE	1	CERAMIC	φ38X156	
06	MAGNET CAPSULE	1	PPG	φ79.6X92	
05-2	RING	1	S45C	φ65X5.7	
05-1	FLY WHEEL	1	S45C	φ122X68	
05	DRIVE MAGNET	1	FCD-45	φ122X199	
04	IMPELLER ASS'Y	1	PPS	5012PPH	
03	REAR CASING	1	PPS	5013PH CARBON SIC	

14	HEXAGON SOCKET BOLT	4	SUS304	1/2"-13X1 1/4"	
13	HEXAGON SOCKET BOLT	4	SUS304	M8X60	
12	EYE BOLT	1	S41C	M12X20	
11	SET SCREW	2	S435	M8X10	
10	HEXAGON HEAD BOLT	8	SUS304	M10X80	
09	W/1 SPRING WASHER				
09	W/1 PLAN WASHER				
09	O. RING	1	FKM	G200	
08	REAR CASING COVER	1		φ158X121	



(NEMA)

APPROVED	CHECK	10 27 03	MDL NAME	NH-5012PH (7.5kW)
CHECK	DESIGN	10 27 03	DWG. NAME	NH-5013PH (7.5kW)
DESIGN	DR.BY	10 27 03 BECKY	DECOMPOSITION DRAWING	
DR.BY	EDITION	1	DWG. NO.	E3508359
EDITION				A3

TPW
HONG YUAN



PAN WORLD CO., LTD.
パンワールド株式会社