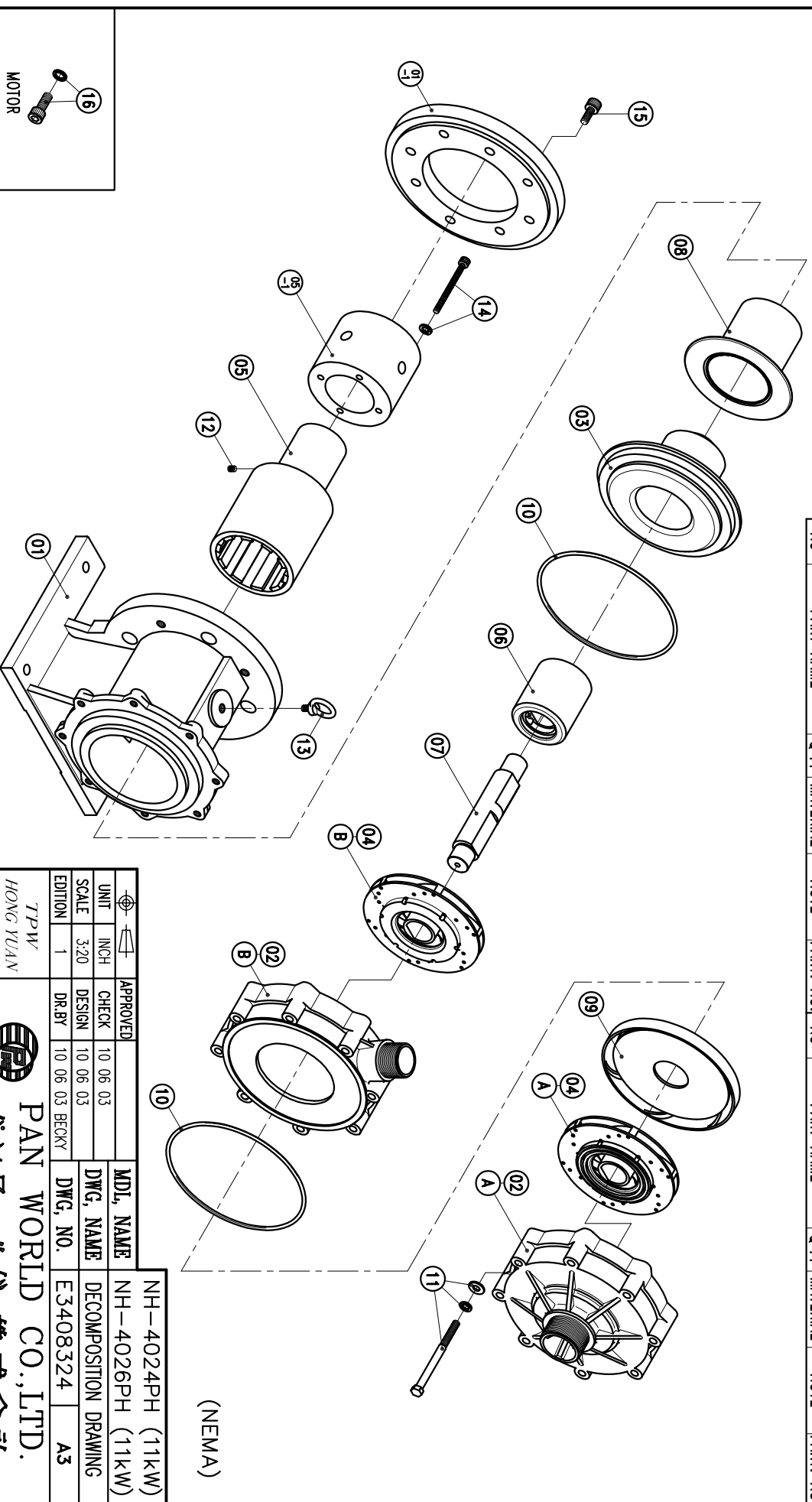


03	REAR CASING	1	PPS	CARBON					
02-B	CASING-2ND	1	PPS	Ø226.5X59.5	SIC				
02-A	FRONT CASING-1ST	1	PPS	THRUST PAD: CERAMIC BEARING: CARBON THRUST PAD: SIC BEARING: SIC					
01-1	TRANSITION FLANGE	1	FC-20	Ø254X21.6					
01	BRACKET	1	FC-20	Ø226.5X205					

09	DEFUSER	1	PPS	Ø195X18					
08	REAR CASING COVER	1	PPS	Ø158X121					
07	SPINDLE	1	CERAMIC	Ø38X198					
06	MAGNET CAPSULE	1	PPG	Ø79.6X92					
05-1	FLY WHEEL	1	S45C	Ø122X97					
05	DRIVE MAGNET	1	FCD-45	Ø122X199					
04-B	IMPELLER ASS'Y-2ND	1	PPS	4026PH					
04-A	IMPELLER ASS'Y-1ST	1	PPS	4026PH 4026PH					
16	HEXAGON SOCKET BOLT	4	SUS304	1/2"-13x1 1/4"					
15	HEXAGON SOCKET WASHER	4	SUS304	M12X25					
14	HEXAGON SOCKET BOLT	4	SUS304	M8X90					
13	W/1 SPRING WASHER	4	SUS304	M8X90					
12	SET SCREW	1	S41C	M12X20					
11	HEXAGON HEAD BOLT	2	S435	M8X10					
10	W/1 SPRING WASHER	8	SUS304	M10X120					
10	W/1 PLAIN WASHER	8	SUS304	M10X120					
10	O. RING	2	FKM	G200					



(NEMA)

⌀	INCH	APPROVED	MDL NAME	NH-4024PH (11kW)
UNIT	INCH	CHECK	DWG. NAME	NH-4026PH (11kW)
SCALE	3:20	DESIGN	DECOMPOSITION DRAWING	
EDITION	1	DR.BY	DWG. NO.	E3408324
				A3

TPW
HONG YUAN



PAN WORLD CO., LTD.
パンワールド株式会社