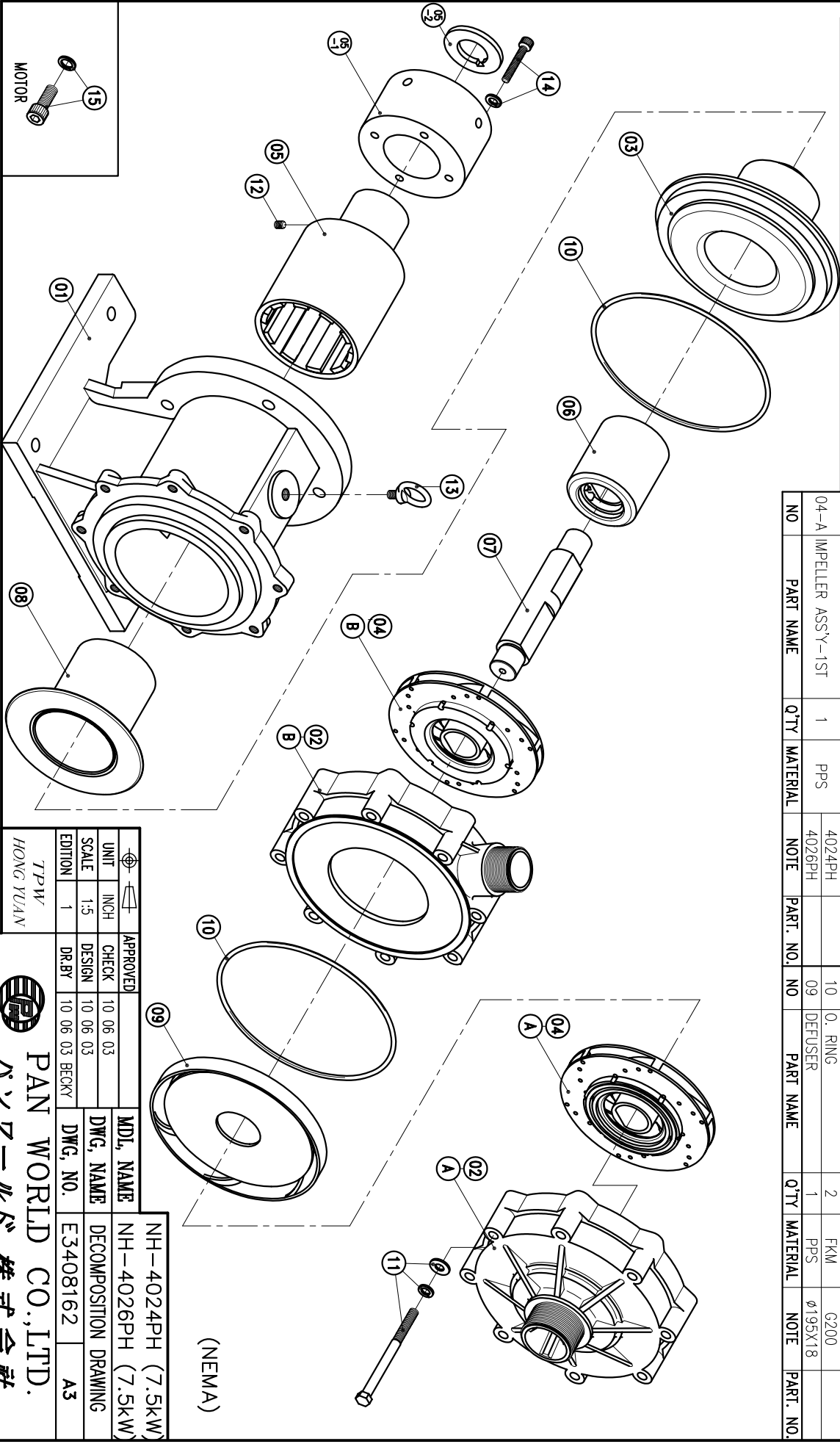


03	REAR CASING	1	PPS	CARBON		08	REAR CASING COVER	1		0158X121		15	HEXAGON SOCKET BOLT	4	SUS304	1/2"-13X1 1/4"
02-B	CASING-2ND	1	PPS	THRUST PAD: CERAMIC	0226.5X59.5	07	SPINDLE	1	CERAMIC	038X198		14	HEXAGON SOCKET BOLT	4	SUS304	M8X60
02-A	FRONT CASING-1ST	1	PPS	THRUST PAD: CARBON		06	MAGNET CAPSULE	1	PPG	079.6X92		13	EYE BOLT	1	S41C	M12X20
01	BRACKET	1	FC-20	BEARING: SIC	0226.5X205	05-2	RING	1	S45C	065X5.7		12	SET SCREW	2	S435	M8X10
						05-1	FLY WHEEL	1	S45C	0122X68		11	HEXAGON HEAD BOLT	8	SUS304	M10X120
						05	DRIVE MAGNET	1	FCD-45	0122X199		10	w/1 SPRING WASHER	2	FKM	G200
						04-B	IMPELLER ASS'Y-2ND	1	PPS	4026PH		09	w/1 PLAN WASHER	1	PPS	0195X18
						04-A	IMPELLER ASS'Y-1ST	1	PPS	4026PH			DEFUSER	1		



UNIT	INCH	CHECK	10.06.03	MDL NAME	NH-4024PH (7.5KW)
SCALE	1:5	DESIGN	10.06.03	DWG. NAME	DECOMPOSITION DRAWING
EDITION	1	DR.BY	10.06.03 BECKY	DWG. NO.	E3408162

TPW
HONG YUAN

APPROVED

PAN WORLD CO., LTD.
PANワールド株式会社