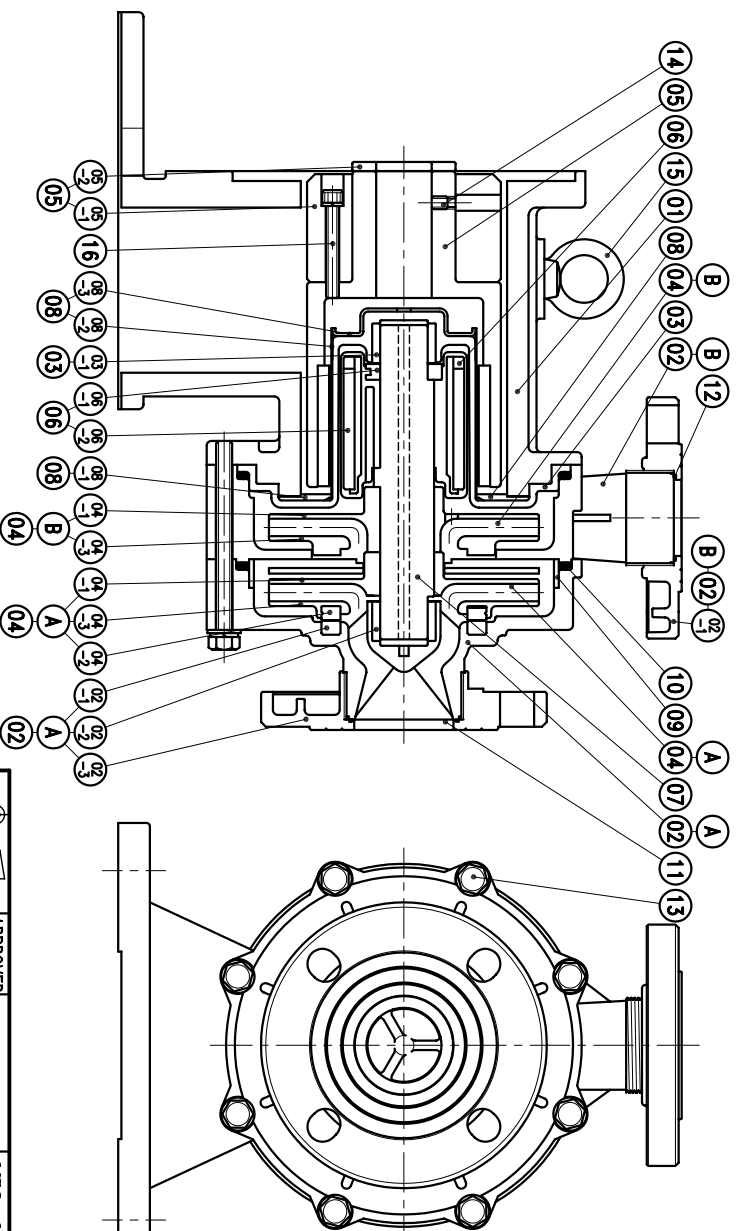


04-2	MOUTH RING	1	RULON	φ104X9	A2428549	08-1	BACK UP RING	1	SUS304	φ158X4	A2118517	17	HEXAGON SOCKET BOLT	4	SUS304	1/2"-13X1 1/4"	
04-1	IMPELLER-1ST	1	PPS	φ170X41	A2418462	08	REAR CASING COVER	1	08-1,-2,-3	φ158X121	A2118477		HEXAGON SOCKET BOLT	4	SUS304		
04-A	IMPELLER ASS'Y-1ST	1	PPS	5024PH	A2408527	07	SPINDLE	1	CERAMIC	φ38X198	A2338480	16	HEXAGON SOCKET BOLT	4	SUS304	M8X60	
03-1	BEARING	1	CARBON	φ40X25	A2228423				SIC				w/1 S.W.(M8)	1	SUS304		
03	REAR CASING	1	PPS	φ210X123.5	A2308476	06-2	DRIVEN MAGNET	1	Nd-Fe-B	φ76X86	A2448506	15	FLY WHEEL	1	S41C	M12X20	
02-1	FLANGE	1	PPG	50A	A2238547	06-1	REAR THRUST PAD	1	CERAMIC	φ48X10	A2328512	14	SET SCREW	2	S435	M8X10	
02-B	CASING-2ND	1	PPS	φ226.5X59.5	A2208516	06	MAGNET CAPSULE	1	SIC	φ79.6X92	A2438472	13	HEXAGON HEAD BOLT	8	SUS304	M10X120	
02-3	FLANGE	1	PPG	65A	A2238559	05-2	RING	1	PPG	φ65X5.7	P2574346		w/1 P.W.(φ21Xφ10.5X12)	1	SUS304	P9113080	
02-2	BEARING	1	CARBON	φ40X25	A2228423	05-1	FLY WHEEL	1	S45C	φ122X68	A2538511	12	O. RING	1	FKM	φ49.5Xφ2	
02-1	FRONT THRUST PAD	1	CERAMIC	φ104X9	P2224475	05	DRIVE MAGNET	1	FCD-45	φ122X199	A2508564	11	O. RING	1	FKM	φ64.5Xφ2	
02-A	FRONT CASING-1ST	1	PPS	φ226.5X101	A2208523	04-3	SHLOUD-2ND	1	PPS	φ170X12	A2458492	10	O. RING	2	FKM	φ199.3Xφ5.7	
01	BRACKET	1	FC-20	φ226.5X184.5	A2128563	04-1	IMPELLER-2ND	1	PPS	φ170X41	A2418462	09	DEFUSER	1	PPS	φ195X18	
						04-B	IMPELLER ASS'Y-2ND	1	PPS	5024PH	A2408498	08-3	COVER	1	SUS304	φ90.2X17.5	
						04-3	SHLOUD-1ST	1	PPS	φ170X12	A2458481	08-2	PIPE	1	HASTELLOY C	φ91.4X112	
NO	PART NAME	Q'TY	MATERIAL	NOTE	DWG. NO.	NO	PART NAME	Q'TY	MATERIAL	NOTE	DWG. NO.	NO	PART NAME	Q'TY	MATERIAL	NOTE	DWG. NO.



(NEMA)

APPROVED		MDL NAME	NH-5024PH (7.5KW)
CHECK	10 24 03	DWG. NAME	CONSTRUCTION DRAWING
DESIGN	10 24 03	DWG. NO.	E2508353
DR.BY	10 24 03 BECKY		A3

TPW
HONG YUAN



PAN WORLD CO., LTD.
パンワールド株式会社