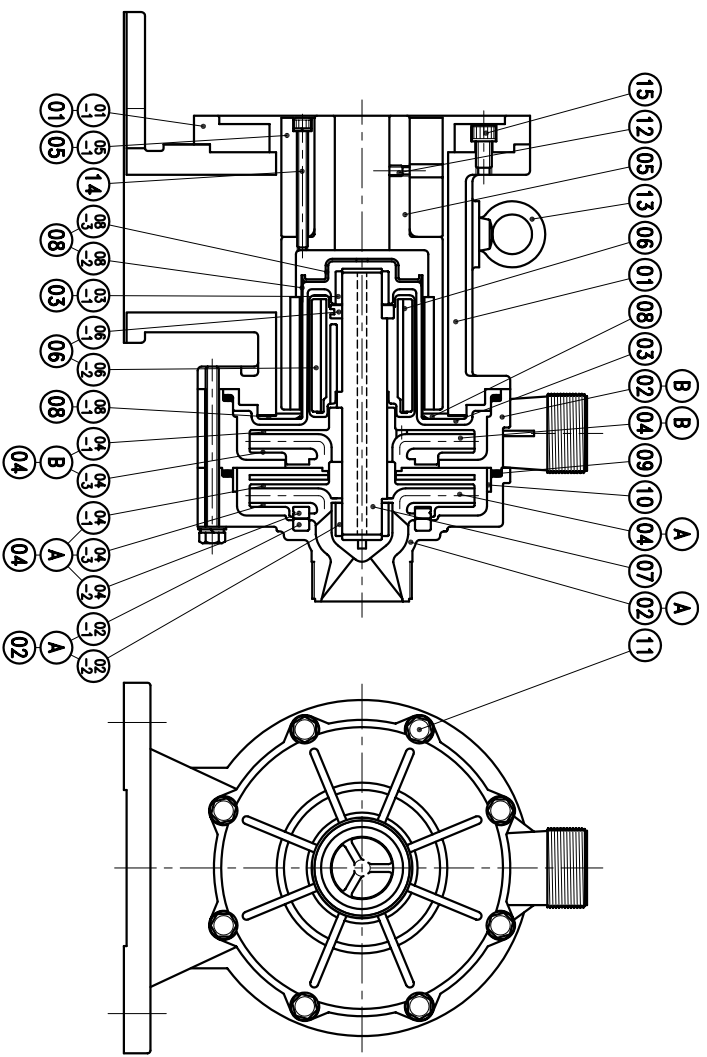


NO	PART NAME	QTY	MATERIAL	NOTE	DWG. NO.	NO	PART NAME	QTY	MATERIAL	NOTE	DWG. NO.	NO	PART NAME	QTY	MATERIAL	NOTE	DWG. NO.
04-2	MOUTH RING	1	RULON	φ104X9	A2428549	08-1	BACK UP RING	1	SUS304	φ158X4	A2118517	16	HEXAGON SOCKET BOLT	4	SUS304	1/2"-13X1 1/4"	
04-1	IMPELLER-1ST	1	PPS	φ170X41	A2418462	08	REAR CASING COVER	1	08-1,-2,-3	φ158X121	A2118477	15	HEXAGON SOCKET BOLT	4	SUS304	M12X25	P9119087
04-A	IMPELLER ASS'Y-1ST	1	PPS	5024PH	A2408527	07	SPINDLE	1	CERAMIC	φ38X198	A2338480	14	HEXAGON SOCKET BOLT	4	SUS304	M8X90	
03-1	BEARING	1	CARBON	φ40X25	A2228423	06-2	DRIVEN MAGNET	1	Nd-Fe-B	φ76X86	A2448514	13	EYEBOLT	1	S41C	M12X20	P9114152
03	REAR CASING	1	PPS	φ210X123.5	A2308476	06-1	REAR THRUST PAD	1	CERAMIC	φ48X10	A2328512	12	SET SCREW	2	S435	M8X10	P9119160
02-B	CASING-2ND	1	PPS	φ226.5X59.5	A2208516	06	MAGNET CAPSULE	1	PPG	φ79.6X92	A2438472	11	HEXAGON HEAD BOLT	8	SUS304	M10X120	P9113080
02-2	BEARING	1	CARBON	φ40X25	A2228423	05-1	FLY WHEEL	1	S45C	φ122X90	A2538577						
02-1	FRONT THRUST PAD	1	CERAMIC	φ104X9	P2224475	05	DRIVE MAGNET	1	FCD-45	φ122X222.1	A2508576						
02-A	FRONT CASING-1ST	1	PPS	φ226.5X101	A2208523	04-3	SHLOUD-2ND	1	PPS	φ170X12	A2458492	10	O. RING	2	FKM	φ199.3Xφ5.7	G200
01-1	TRANSITION FLANGE	1	FC-20	φ254X21.6	P2179309	04-1	IMPELLER-2ND	1	PPS	φ170X41	A2418462	09	DEFUSER	1	PPS	φ195X18	A2638545
01	BRACKET	1	FC-20	φ226.5X205	A2128575	04-B	IMPELLER ASS'Y-2ND	1	PPS	5024PH	A2408498	08-3	COVER	1	SUS304	φ90.2X17.5	A2118518
						04-3	SHLOUD-1ST	1	PPS	φ170X12	A2458481	08-2	PIPE	1	HASTELLOY C	φ91.4X112	A2118474



(NEMA)

APPROVED	CHECK	DESIGN	DR.BY	MDL. NAME	NH-5024PH (11kW)
10 27 03	10 27 03	10 27 03	10 27 03 BECKY	DWG. NAME	CONSTRUCTION DRAWING
				DWG. NO.	E2508348
					A3

TPW  
HONG YUAN

PAN WORLD CO., LTD.  
パンワールド株式会社