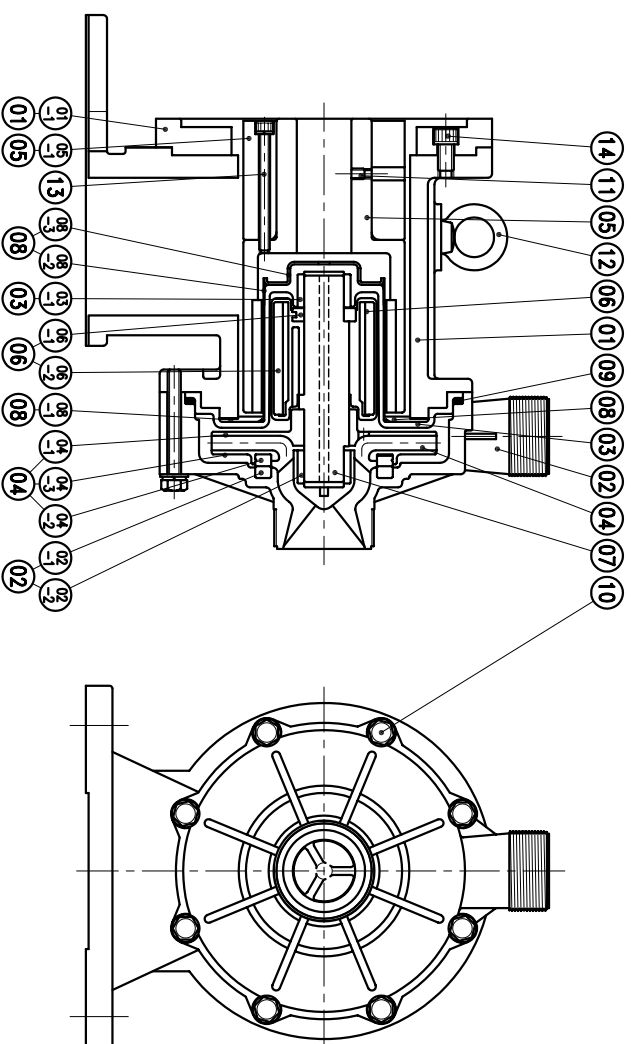


| 04-1 | IMPELLER | 1 | PPS | φ170X41 | A2418462 | 08-1 | BACK UP RING | 1 | SUS304 | φ158X4 | A2118517 | 15 | HEXAGON SOCKET BOLT | 4 | SUS304 | 1/2"-13X1 1/4" | |
|------|-------------------|------|-------------|--------------|----------|------|-------------------|------|-------------|------------|----------|------|------------------------|------|-------------|----------------|----------|
| 04 | IMPELLER ASS'Y | 1 | PPS | 5013PH | A2408581 | 08 | REAR CASING COVER | 1 | 08-1,-2,-3 | φ158X121 | A2118477 | 14 | HEXAGON SOCKET BOLT | 4 | SUS304 | M12X25 | |
| 03-1 | BEARING | 1 | CARBON SIC | φ40X25 | A2228423 | 07 | SPINDLE | 1 | CERAMIC SIC | φ38X156 | A2338480 | 13 | HEXAGON SOCKET BOLT | 4 | SUS304 | M8X90 | |
| 03 | REAR CASING | 1 | PPS | φ210X123.5 | A2308476 | 06-2 | DRIVEN MAGNET | 1 | Nd-Fe-B | φ76X86 | A2448514 | 12 | HEXAGON SOCKET BOLT | 4 | SUS304 | M8X90 | |
| 02-2 | BEARING | 1 | CARBON SIC | φ40X25 | A2228423 | 06-1 | REAR THRUST PAD | 1 | CERAMIC SIC | φ48X10 | A2328512 | 11 | EYEBOLT | 1 | S41C | M12X20 | |
| 02-1 | FRONT THRUST PAD | 1 | CERAMIC SIC | φ104X9 | P2224475 | 06 | MAGNET CAPSULE | 1 | PPG | φ79.6X92 | A2438472 | 10 | SET SCREW | 2 | S435 | M8X10 | |
| 02 | FRONT CASING | 1 | PPS | φ226.5X118.5 | A2208546 | 05-1 | FLY WHEEL | 1 | S45C | φ122X90 | A2538577 | 10 | HEXAGON HEAD BOLT | 8 | SUS304 | M10X80 | |
| 01-1 | TRANSITION FLANGE | 1 | FC-20 | φ254X21.6 | P2179309 | 05 | DRIVE MAGNET | 1 | FCD-45 | φ122X222.1 | A2508576 | 09 | w/1 P.W.(φ21Xφ10.5X12) | | | | |
| 01 | BRACKET | 1 | FC-20 | φ226.5X205 | A2128575 | 04-3 | SHLOUD | 1 | PPS | φ170X12 | A2458481 | 09 | O. RING | 1 | FKM | φ199.3Xφ5.7 | |
| | | | | | | 04-2 | MOUTH RING | 1 | RULON | φ104X9 | A2428549 | 08-3 | COVER | 1 | SUS304 | φ90.2X17.5 | |
| | | | | | | | | | | | | 08-2 | PIPE | 1 | HASTELLOY C | φ91.4X112 | |
| | | | | | | | | | | | | | | | | A2118474 | |
| NO | PART NAME | Q'TY | MATERIAL | NOTE | DWG. NO. | NO | PART NAME | Q'TY | MATERIAL | NOTE | DWG. NO. | NO | PART NAME | Q'TY | MATERIAL | NOTE | DWG. NO. |



(NEMA)

| | | | |
|----------|----------------|-----------|----------------------|
| APPROVED | | MDL NAME | NH-5013PH (11KW) |
| CHECK | 10 27 03 | DWG. NAME | CONSTRUCTION DRAWING |
| DESIGN | 10 27 03 | DWG. NO. | E2508347 |
| DR.BY | 10 27 03 BECKY | | A3 |

TPW
HONG YUAN



PAN WORLD CO., LTD.
パンワールド株式会社