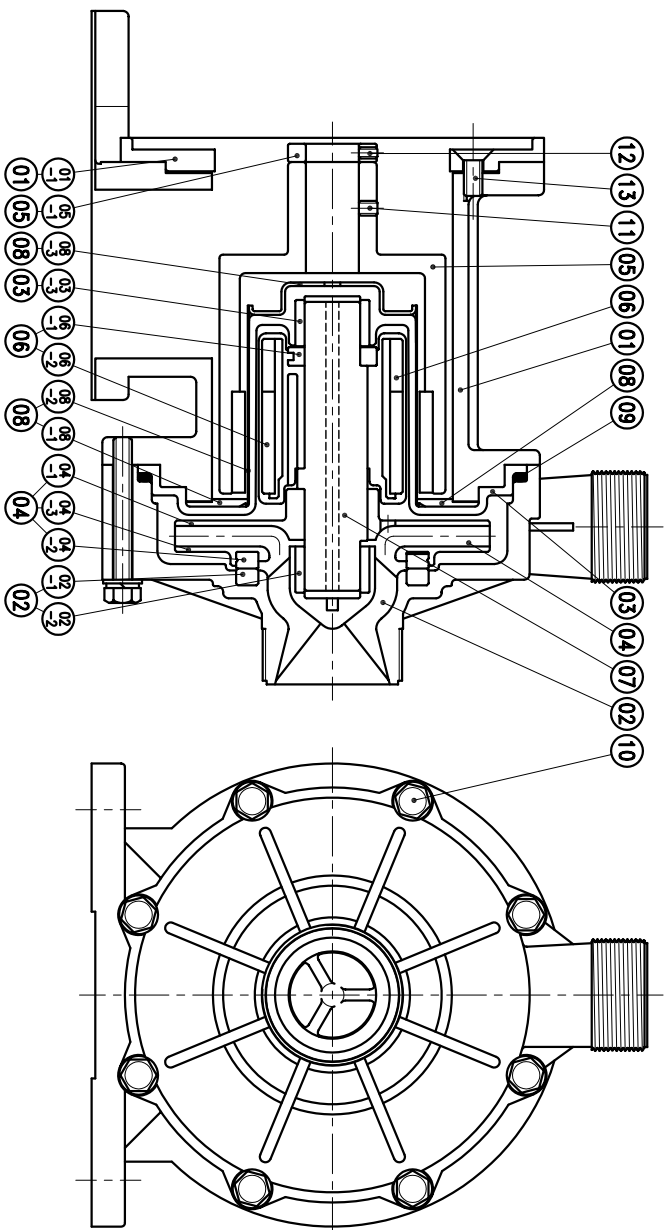


04	IMPELLER ASS'Y	1	CARBON	5012PH	A2408581	08	REAR CASING COVER	1	08-1,-2,-3	Ø158X121	A2118477	14	HEXAGON SOCKET BOLT	4	SUS304	1/2"-13X3/4"	
			PPS	Ø40X25	A2228423	07	SPINDLE	1	CERAMIC	Ø38X156	A2338480	13	COUNTER SUNK HEAD BOLT	4	S435	M10X25	P9119375
03-1	BEARING	1	SIC						SIC					2	S435	M6X10	P9116430
03	REAR CASING	1	PPS	Ø210X123.5	A2308476	06-2	DRIVEN MAGNET	1	Nd-Fe-B	Ø76X86	A2448531	12	SET SCREW	2	S435	M8X10	P9119160
02-2	BEARING	1	CARBON	Ø40X25	A2228423	06-1	REAR THRUST PAD	1	CERAMIC	Ø48X10	A2328512	11	SET SCREW	2	S435	M8X10	P9119160
			SIC						SIC								
02-1	FRONT THRUST PAD	1	CERAMIC	Ø104X9	P2224475	06	MAGNET CAPSULE	1	PPG	Ø79.6X92	A2438472	10	HEXAGON HEAD BOLT	8	SUS304	M10X80	P9113080
			SIC			05-1	RING	1	S45C	Ø48X9.8	P2509342						
02	FRONT CASING	1	PPS	Ø226.5X118.5	A2208546	05	DRIVE MAGNET	1	FCD-45	Ø122X179	A2508570	09	O. RING	1	FKM	Ø139.3XØ5.7	G200
01-1	TRANSITION FLANGE	1	FC-20	Ø228.6X18	P2179307	04-3	SHLOUD	1	PPS	Ø170X12	A2458481	08-3	COVER	1	SUS304	Ø90.2X17.5	A2118518
01	BRACKET	1	FC-20	Ø226.5X133.5	A2128569	04-2	MOUTH RING	1	RULON	Ø104X9	A2428549	08-2	PIPE	1	HASTELLOY C	Ø91.4X112	A2118474
						04-1	IMPELLER	1	PPS	Ø170X41	A2418462	08-1	BACK UP RING	1	SUS304	Ø158X4	A2118517



(NEMA)

APPROVED		MDL NAME	NH-5012PH (3.7kW)
CHECK	10.24.03	DWG. NAME	CONSTRUCTION DRAWING
DESIGN	10.24.03	DWG. NO.	E2508342
DR.BY	10.24.03 BECKY		A3

TPW  
HONG YUAN



PAN WORLD CO., LTD.  
パンワールド株式会社