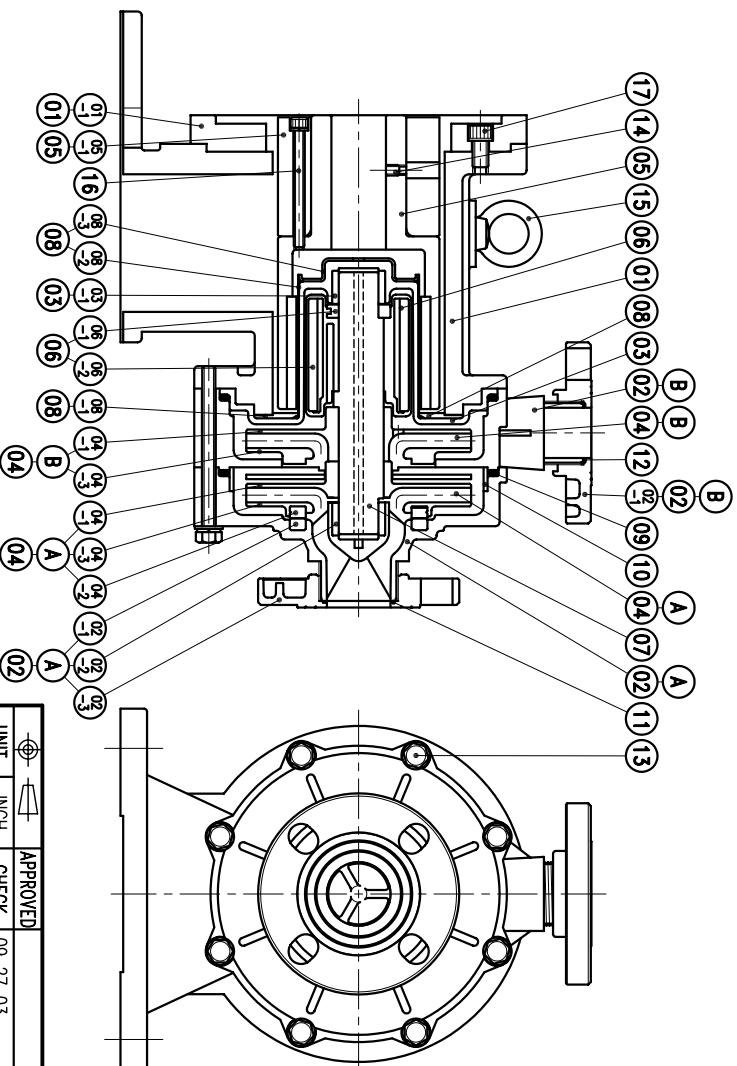


NO	PART NAME	Q'TY	MATERIAL	NOTE	DWG. NO.	NO	PART NAME	Q'TY	MATERIAL	NOTE	DWG. NO.	NO	PART NAME	Q'TY	MATERIAL	NOTE	DWG. NO.
04-1	IMPELLER-1ST	1	PPS	φ170X41	A2418462	08-1	BACK UP RING	1	SUS304	φ158X4	A2118517	18	HEXAGON SOCKET BOLT	4	SUS304	1/2"-13X1 1/4"	
04-A	IMPELLER ASS'Y-1ST	1	PPS	4024PH	A2408491	08	REAR CASING COVER	1	08-1,-2,-3	φ158X121	A2118477	17	HEXAGON SOCKET BOLT	4	SUS304	M12X25	P9119087
				4026PH		07	SPINDLE	1	CERAMIC	φ38X198	A2338480	16	HEXAGON SOCKET BOLT	4	SUS304	M8X90	
03-1	BEARING	1	CARBON	φ40X25	A2228423	06-2	DRIVEN MAGNET	1	Nd-Fe-B	φ76X86	A2448514	15	EYEBOLT	1	S41C	M12X20	P9114152
02-B	CASING-2ND	1	PPS	φ210X123.5	A2308476	05-1	FLY WHEEL	1	S45C	φ79.6X92	A2438472	13	HEXAGON HEAD BOLT	8	SUS304	M10X120	P9113080
				40A	A2238543					φ122X230.5	A2508576						
02-2	FLANGE	1	PPG	50A	A2238547	04-3	SHLOUD-2ND	1	PPS	φ170X12	A2458492	12	O. RING	1	FKM	φ39.5Xφ2	S40
				φ40X25	A2228423					φ170X41	A2418462						
02-1	FRONT THRUST PAD	1	CERAMIC	φ104X9	P2224475	04-1	IMPELLER-2ND	1	PPS	φ170X41	A2418462	10	O. RING	2	FKM	φ199.3Xφ5.7	G200
02-A	FRONT CASING-1ST	1	PPS	φ226.5X101	A2208489	04-B	IMPELLER ASS'Y-2ND	1	PPS	4024PH	A2408493	09	DEFUSER	1	PPS	φ195X18	A2638545
01-1	TRANSITION FLANGE	1	FC-20	φ254X21.5	P2179309	04-3	SHLOUD-1ST	1	PPS	φ170X12	A2458481	08-3	COVER	1	SUS304	φ90.2X17.5	A2118518
01	BRACKET	1	FC-20	φ226.5X205	A2128575	04-2	MOUTH RING	1	RULON	φ104X9	A2428549	08-2	PIPE	1	HASTELLOY C	φ91.4X112	A2118474



(NEMA)

APPROVED	CHECK	DESIGN	DR.BY	MDL. NAME	DWG. NAME	DWG. NO.
09 27 03	11 27 02	09 27 03	BECKY	NH-4024PH (11kW)	CONSTRUCTION DRAWING	E2408267
				NH-4026PH (11kW)		A3

TPW
HONG YUAN

PAN WORLD CO., LTD.
パンワールド株式会社