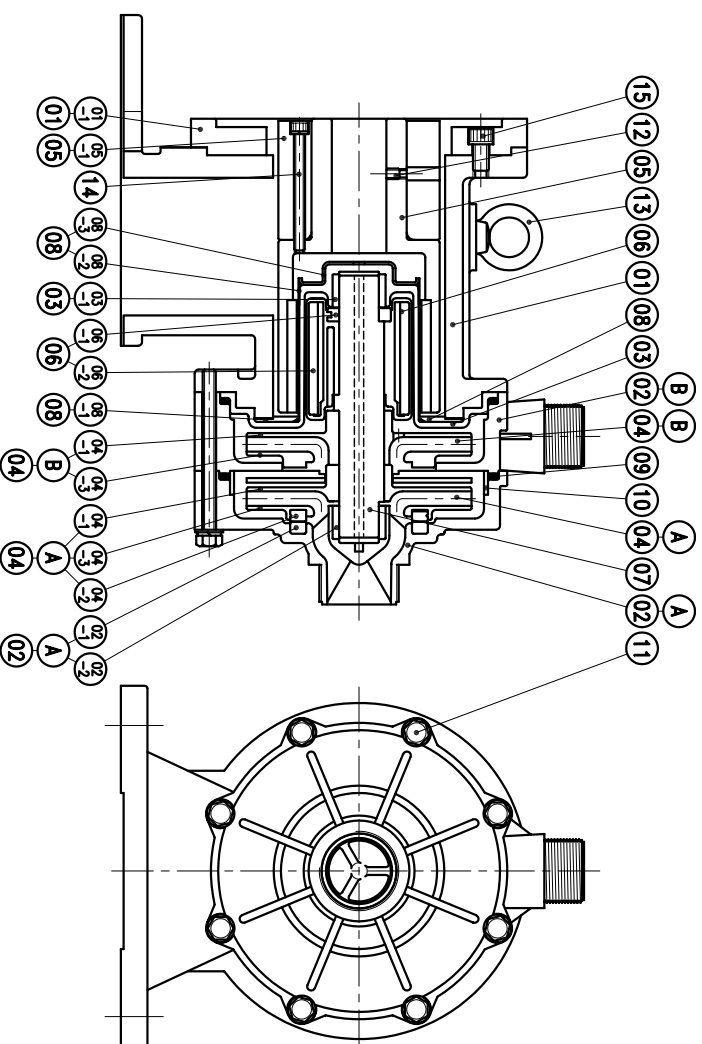


04-1	IMPELLER-1ST	1	PPS	φ170X41	A2418462	08	REAR CASING COVER	1	08-1,-2,-3	φ158X121	A2118477	16	HEXAGON SOCKET BOLT	4	SUS304	1/2"-13X1 1/4"	
04-A	IMPELLER ASS'Y-1ST	1	PPS	4024PH 4026PH	A2408491	07	SPINDLE	1	CERAMIC SIC	φ38X198	A2338480	15	HEXAGON SOCKET BOLT	4	SUS304	M12X25	
03-1	BEARING	1	CARBON	φ40X25	A2228423	06-2	DRIVEN MAGNET	1	Nd-Fe-B CERAMIC	φ76X86	A2448514	14	HEXAGON SOCKET BOLT	4	SUS304	M8X90	
03	REAR CASING	1	PPS	φ210X123.5	A2308476	06-1	REAR THRUST PAD	1	SIC	φ48X10	A2328512	13	EYEBOLT	1	S41C	M12X20	
02-B	CASING-2ND	1	PPS	φ226.5X59.5	A2208490	06	MAGNET CAPSULE	1	PPG	φ79.6X92	A2438472	12	SET SCREW	2	S435	M8X10	
02-2	BEARING	1	CARBON	φ40X25	A2228423	05-1	FLY WHEEL	1	S45C	φ122X90	A2558577	11	HEXAGON HEAD BOLT	8	SUS304	M10X120	
02-1	FRONT THRUST PAD	1	CERAMIC SIC	φ104X9	P2224475	05	DRIVE MAGNET	1	FCD-45	φ122X222.1	A2508576	11	HEXAGON HEAD BOLT	8	SUS304	M10X120	
02-A	FRONT CASING-1ST	1	PPS	φ226.5X101	A2208489	04-3	SHLOUD-2ND	1	PPS	φ170X12	A2458492	10	O. RING	2	FKM	φ199.3Xφ5.7 G200	
01-1	TRANSITION FLANGE	1	FC-20	φ25.4X21.6	P2179309	04-B	IMPELLER ASS'Y-2ND	1	PPS	4024PH	A2408493	09	DEFUSER	1	PPS	φ195X18 A2638545	
01	BRACKET	1	FC-20	φ226.5X205	A2128575	04-3	SHLOUD-1ST	1	PPS	4026PH	A2458481	08-3	COVER	1	SUS304	φ90.2X17.5 A2118518	
NO	PART NAME	Q'TY	MATERIAL	NOTE	DWG. NO.	NO	PART NAME	Q'TY	MATERIAL	NOTE	DWG. NO.	NO	PART NAME	Q'TY	MATERIAL	NOTE	DWG. NO.
						04-2	MOUTH RING	1	RULON	φ104X9	A2428549	08-1	BACK UP RING	1	SUS304	φ158X4 A2118517	



(NEMA)

APPROVED		MDL NAME	NH-4024PH (11kW)
CHECK	09 27 03	DWG. NAME	NH-4026PH (11kW)
DESIGN	11 27 02	CONSTRUCTION DRAWING	
DR.BY	09 27 03 BECKY	DWG. NO.	E2408260
EDITION	1		A3

TPW
HONG YUAN



PAN WORLD CO., LTD.
パンワールド株式会社