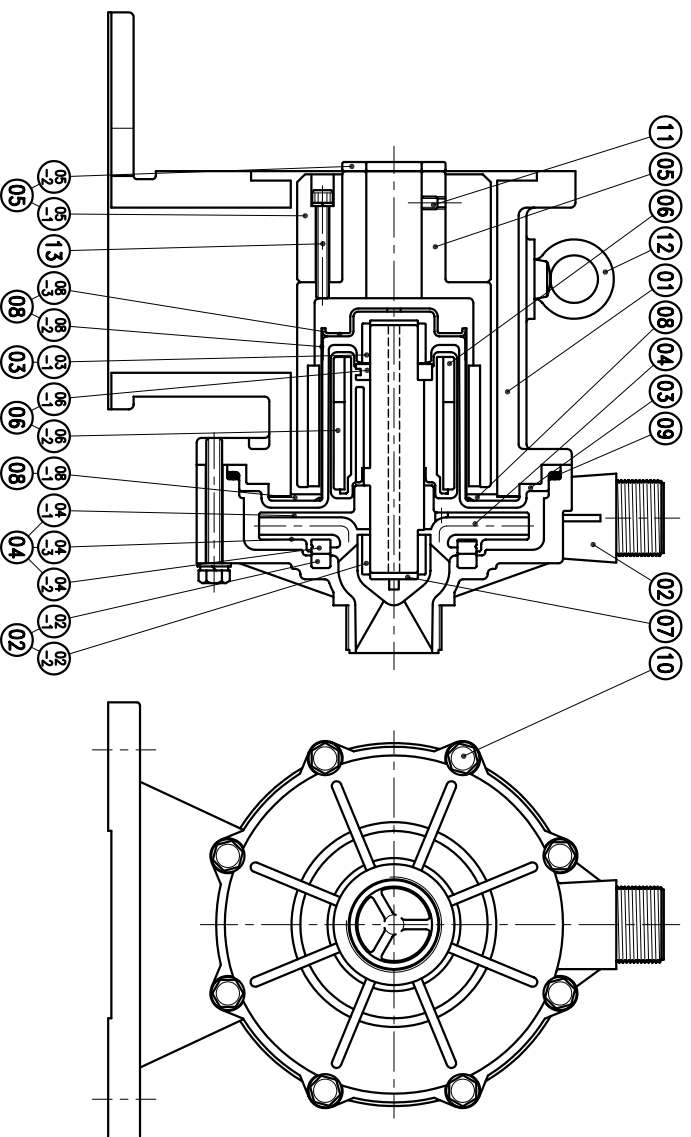


04-2	MOUTH RING	1	RULON	φ104X9	A2428549	08-1	BACK UP RING	1	SUS304	φ158X4	A2118517	14	HEXAGON SOCKET BOLT	4	SUS304	1/2"-13X1 1/4"	
04-1	IMPELLER	1	PPS	φ170X41	A2418462	08	REAR CASING COVER	1	08-1,-2,-3	φ158X121	A2118477		HEXAGON SOCKET BOLT	4	SUS304	M8X60	
04	IMPELLER ASS'Y	1	PPS	4013PH	A2408491	07	SPINDLE	1	CERAMIC	φ38X156	A2338480	13	HEXAGON SOCKET BOLT	4	SUS304	M8X60	
03-1	BEARING	1	CARBON	φ40X25	A2228423				SIC				w/1 S.W.(M8)				
03	REAR CASING	1	PPS	φ210X123.5	A2308476	06-1	REAR THRUST PAD	1	Nd-Fe-B	φ76X86	A2448506	12	HEXAGON HEAD BOLT	2	S435	M12X20	
02-2	BEARING	1	CARBON	φ40X25	A2228423				SIC			11	SET SCREW	2	S435	M8X10	
02-1	FRONT THRUST PAD	1	CERAMIC	φ104X9	P2224475	06	MAGNET CAPSULE	1	PPG	φ79.6X69.5	A2438472	10	HEXAGON HEAD BOLT	8	SUS304	M10X80	
02	FRONT CASING	1	PPS	φ226.5X118.5	A2208461	05-2	FLY WHEEL	1	S45C	φ65X5.7	P2574346	09	w/1 S.W.(M10)	1	FKM	φ199.3Xφ5.7	
01	BRACKET	1	FC-20	φ226.5X184.5	A2128563	05-1	DRIVE MAGNET	1	S45C	φ122X68	A2538511	08-3	COVER	1	SUS304	φ90.2X17.5	
						04-3	SHLOUD	1	PPS	φ170X12	A2458481	08-2	PIPE	1	HASTELLOY C	φ91.4X112	
NO	PART NAME	Q'TY	MATERIAL	NOTE	DWG. NO.	NO	PART NAME	Q'TY	MATERIAL	NOTE	DWG. NO.	NO	PART NAME	Q'TY	MATERIAL	NOTE	DWG. NO.



(NEMA)

APPROVED	09 27 03	MDL NAME	NH-4013PH (7.5KW)
CHECK	11 27 02	DWG. NAME	CONSTRUCTION DRAWING
DESIGN	09 27 03	DWG. NO.	E2408257
DR.BY			A3

TPW
HONG YUAN



PAN WORLD CO., LTD.
パンワールド株式会社