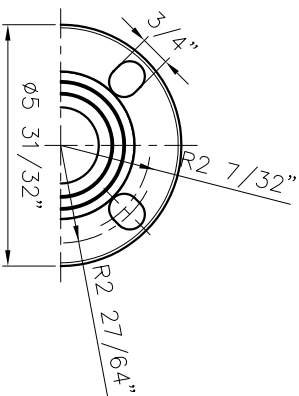
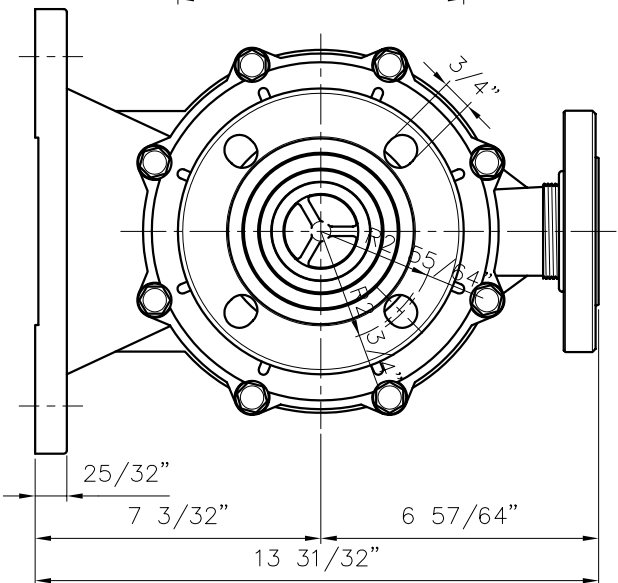
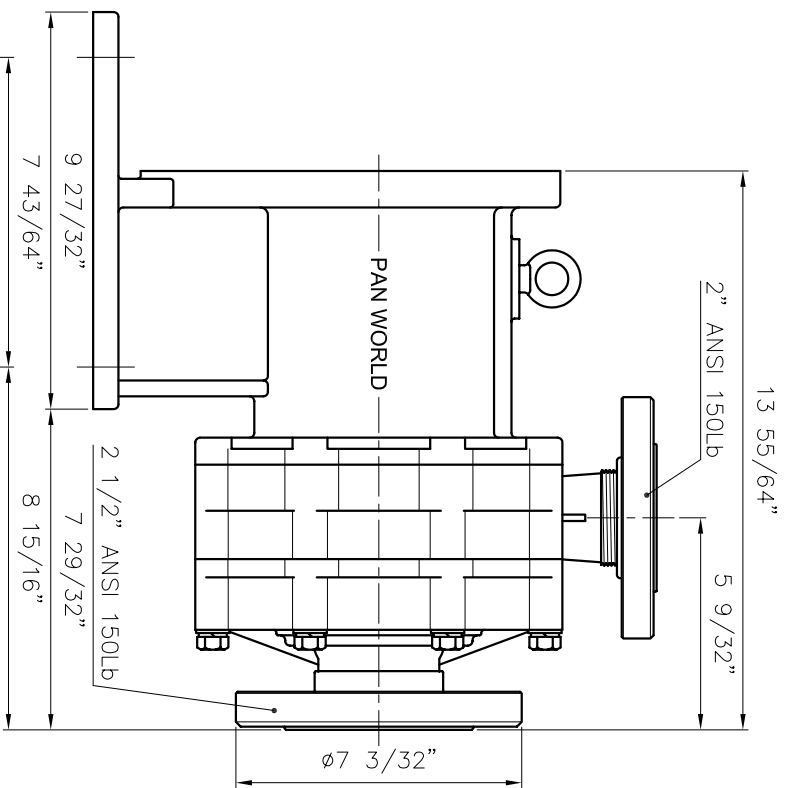
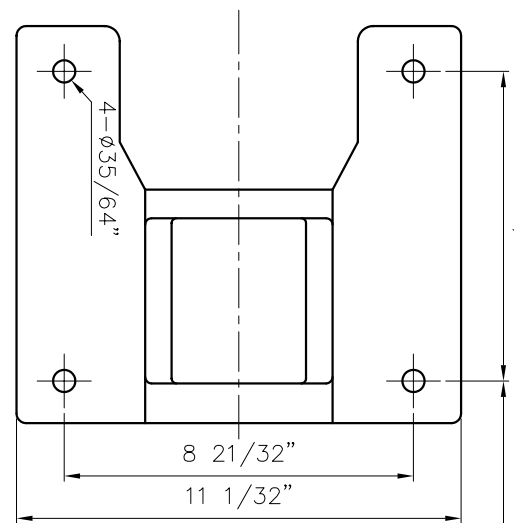


SCALE = 1:1

( L=80 )



(NEMA)



|           |                      |        |                |
|-----------|----------------------|--------|----------------|
| APPROVED  | 10 24 03             | CHECK  | 10 24 03       |
| MDL. NAME | NH-5024PH (7.5KW)    |        |                |
| DWG. NAME | INSTALLATION DRAWING |        |                |
| DWG. NO.  | E1508339             | DR. BY | 10 24 03 BECKY |
| EDITION   | 1                    | SCALE  | 3:10           |
| UNIT      | INCH                 | SCALE  | 3:10           |

TPW  
HONG YUAN



PAN WORLD CO., LTD.  
パンワールド株式会社

DIMENSION TOLERANCE : JIS 16 CLASS