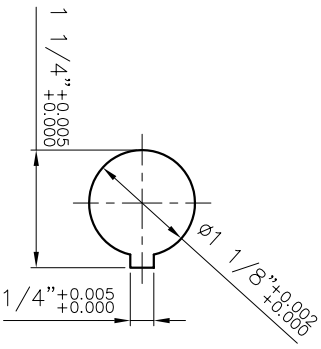
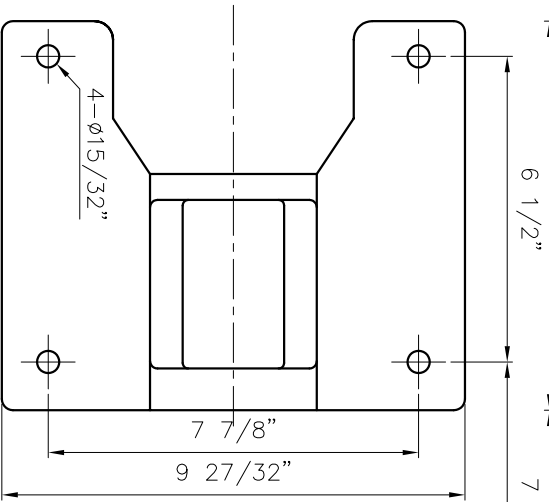


(L=2 3/4")



SCALE = 1:2

DIMENSION TOLERANCE : JIS 16 CLASS



(NEMA)

APPROVED	CHECK	10 24 03	MDL, NAME	NH-5012PH (3.7kW)
CHECK	DESIGN	10 24 03	DWG, NAME	INSTALLATION DRAWING
SCALE	DR.BY	10 24 03 BECKY	DWG, NO.	E1508332
EDITION				A3

TPW
HONG YUAN



PAN WORLD CO., LTD.
パンワールド株式会社