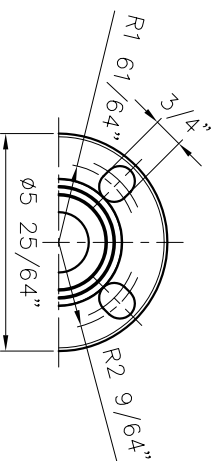
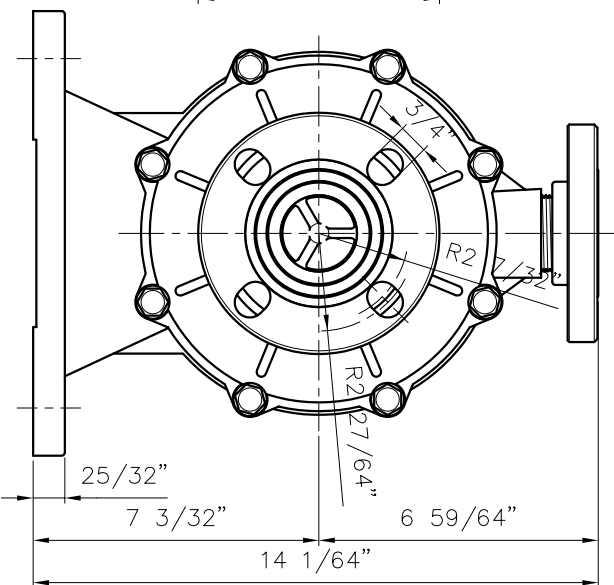
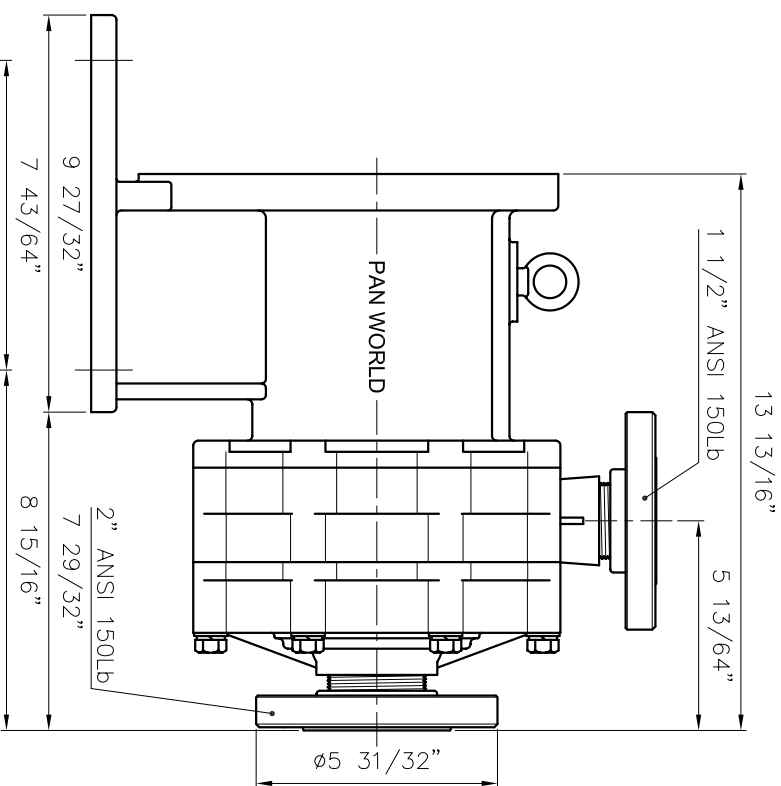
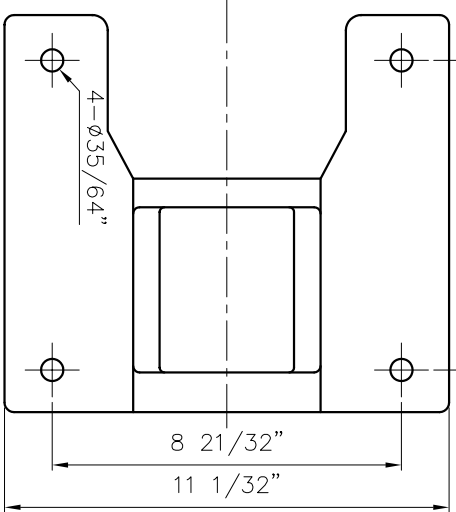


SCALE = 1:1

(L=80)



(NEMA)



APPROVED	CHECK	DESIGN	DR.BY	MDL. NAME	DWG. NAME	DWG. NO.	EDITION
	10 01 03	11 27 02	10 01 03 BECKY	NH-4024PH (5.5KW)	NH-4024PH (7.5KW)	E1408271	1
UNIT	SCALE	EDITION	DR.BY	MDL. NAME	DWG. NAME	DWG. NO.	EDITION
INCH	3:10	1	10 01 03 BECKY	NH-4024PH (7.5KW)	NH-4026PH (7.5KW)	E1408271	1
				INSTALLATION DRAWING			

DIMENSION TOLERANCE : JIS 16 CLASS

TPW
HONG YUAN



PAN WORLD CO., LTD.
パンワールド株式会社