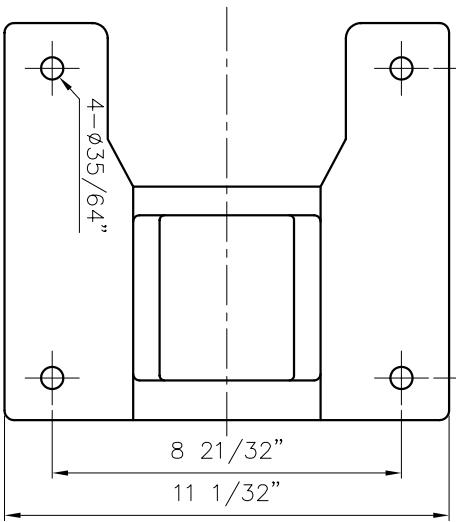
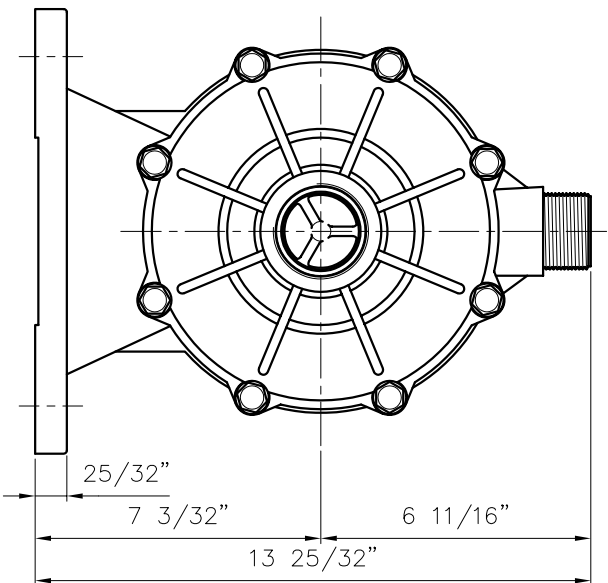
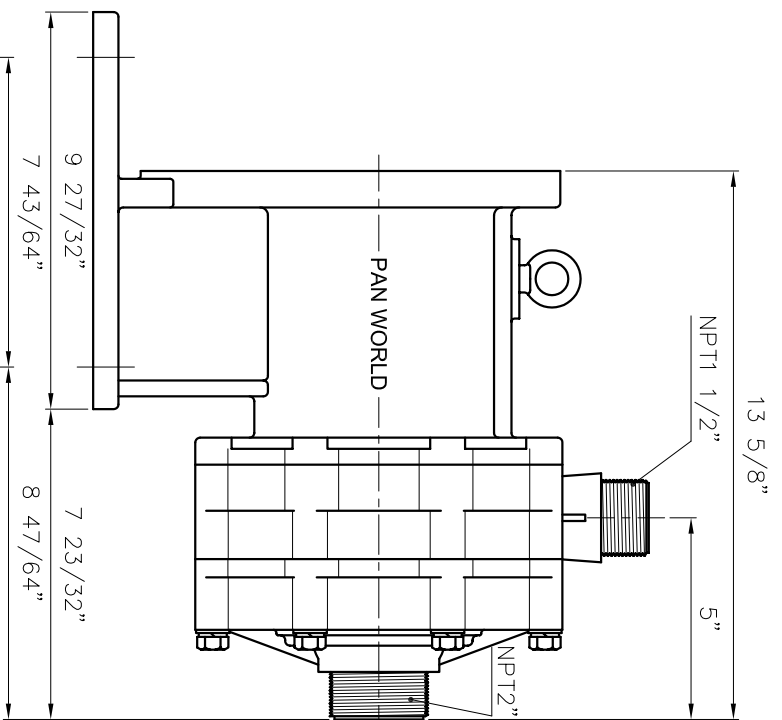


SCALE = 1:1

(L=80)



UNIT	INCH
SCALE	3:10
EDITION	1

APPROVED	CHECK	DESIGN	DR.BY
10 01 03	11 27 02	10 01 03	BECKY

MDL. NAME	DWG. NAME	DWG. NO.
NH-4024PH (7.5KW)	INSTALLATION DRAWING	E1408256

NH-4024PH (5.5KW)
NH-4024PH (7.5KW)
NH-4026PH (7.5KW)
INSTALLATION DRAWING
A3

(NEMA)

DIMENSION TOLERANCE : JIS 16 CLASS

TPW
HONG YUAN



PAN WORLD CO., LTD.
パンワールド株式会社