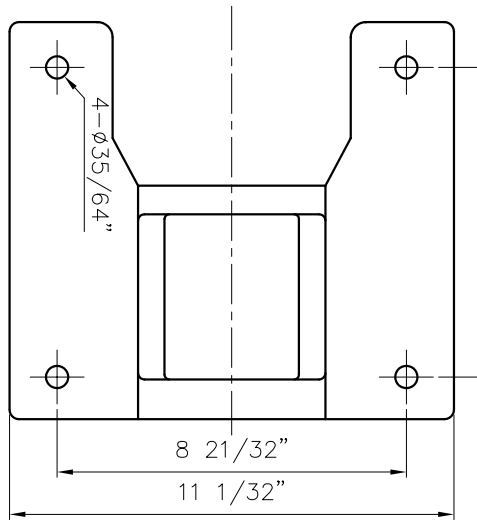


SCALE = 1:1

(L=80)



(NEMA)

DIMENSION TOLERANCE : JIS 16 CLASS

UNIT	INCH	APPROVED	10 01 03	MDL NAME	NH-4012PH (5.5kW)
SCALE	3:10	CHECK	11 27 02	DWG. NAME	NH-4013PH (5.5kW)
EDITION	1	DESIGN	10 01 03 BECKY	DWG. NO.	INSTALLATION DRAWING
		DR.BY			E1408156
					A3

TPW
HONG YUAN

 PAN WORLD CO.,LTD.
パンワールド株式会社