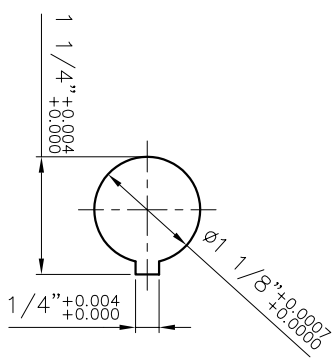
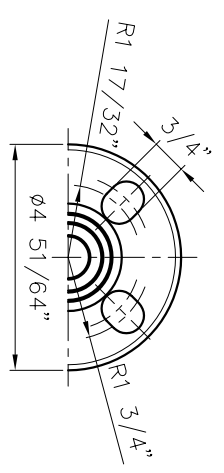
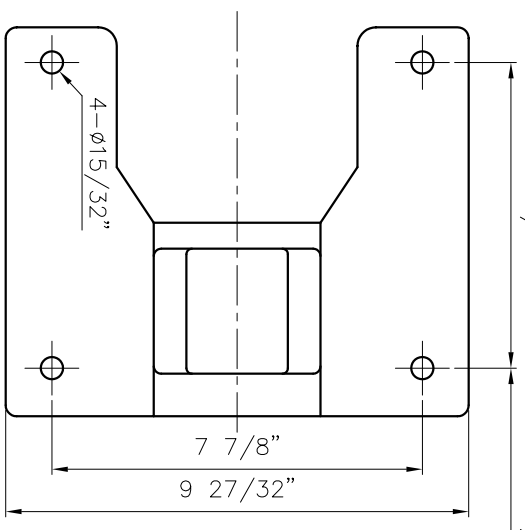


(L=2 3/4")



SCALE = 1:2



(NEMA)

DIMENSION TOLERANCE : JIS 16 CLASS

APPROVED	CHECK	10 08 03	MDL NAME	NH-3013PH (3.7kW)
SCALE	DESIGN	04 24 03	DWG. NAME	INSTALLATION DRAWING
EDITION	DR. BY	10 08 03 BECKY	DWG. NO.	E1308371
				A3

TPW
HONG YUAN



PAN WORLD CO., LTD.
パンワールド株式会社