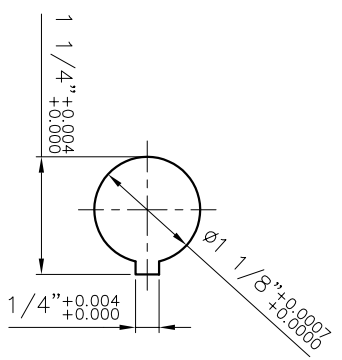
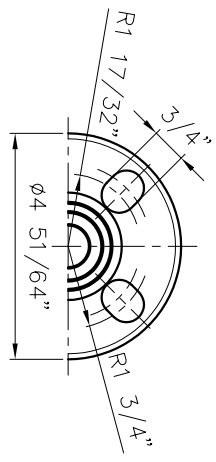
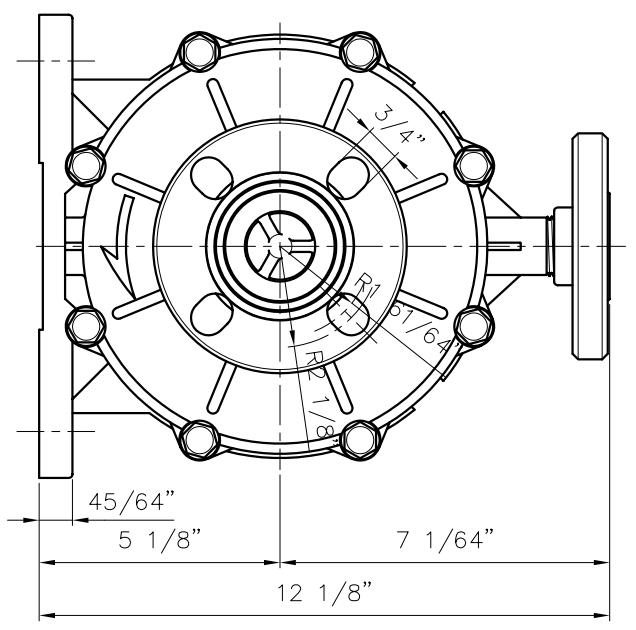
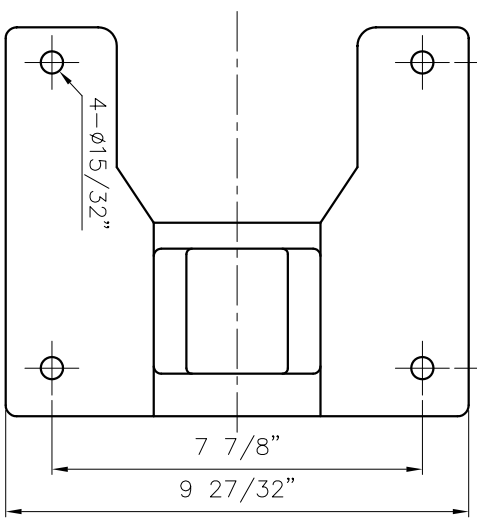
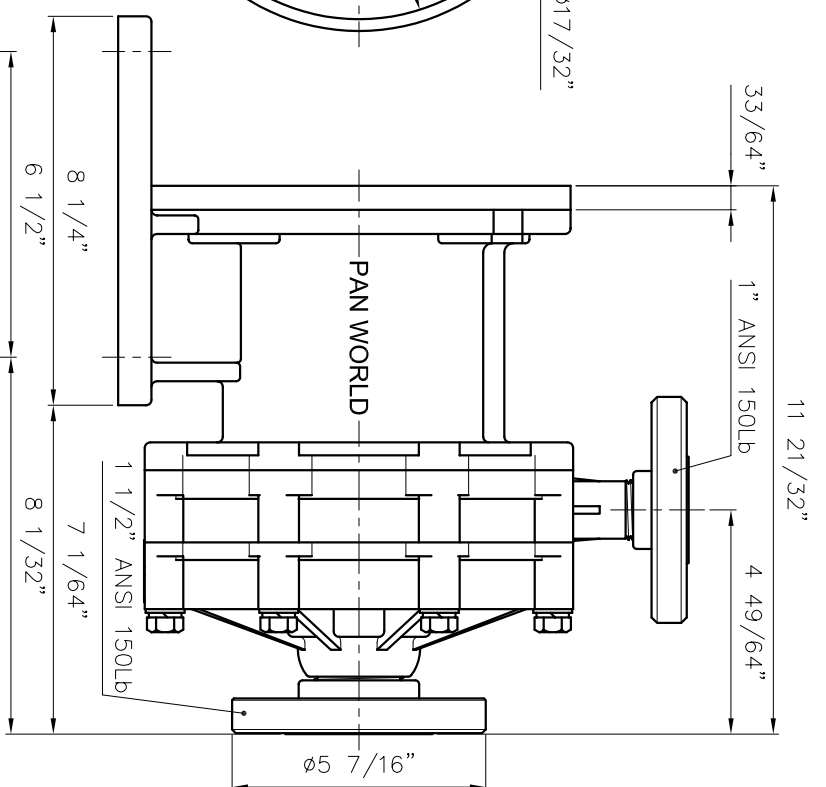


(L=2 3/4")



SCALE = 1:2

DIMENSION TOLERANCE : JIS 16 CLASS



(NEMA)

UNIT	INCH
SCALE	7:20
EDITION	2

APPROVED	CHECK	DESIGN	DR.BY	MDL. NAME	DWG. NAME	DWG. NO.
	07 29 03	04 24 03	07 29 03 BECKY	NH-3024PH (3.7KW)	INSTALLATION DRAWING	E1308184
TPW HONG YUAN				PAN WORLD CO.,LTD. パンワールド株式会社		