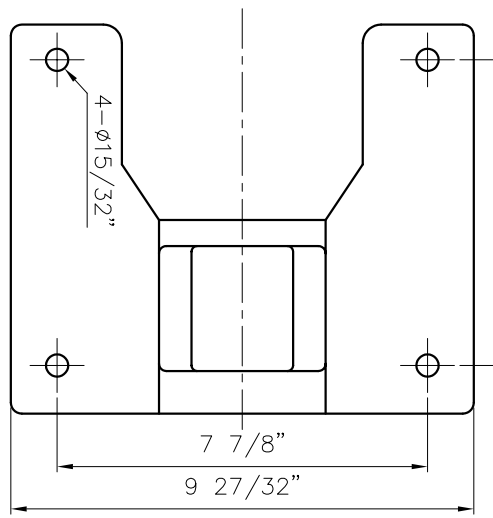


(L=2 3/4")

SCALE = 1:2

DIMENSION TOLERANCE : JIS 16 CLASS



(NEMA)

APPROVED	CHECK	07 29 03	MDL NAME	NH-3024PH (3.7KW)
CHECK	DESIGN	04 24 03	DWG. NAME	NH-3026PH (3.7KW)
DESIGN	DR.BY	07 29 03 BECKY	DWG. NO.	INSTALLATION DRAWING
DR.BY	EDITION	2		E1308150
EDITION				A3

TPW
HONG YUAN

PAN WORLD CO., LTD.
PANワールド株式会社