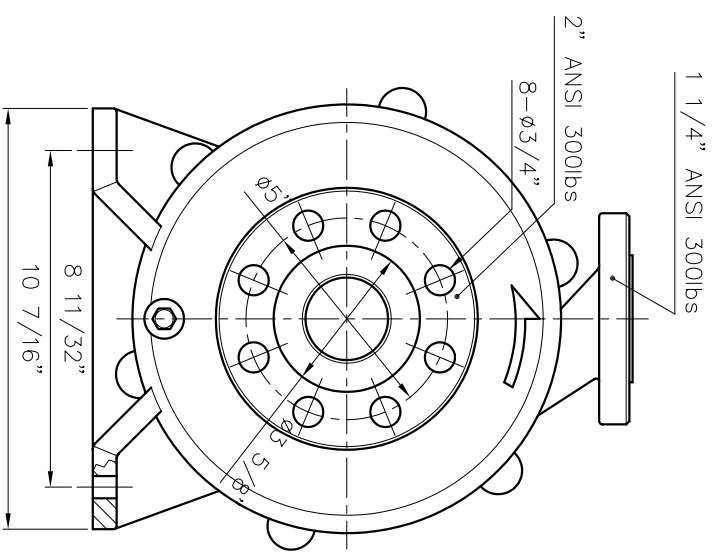
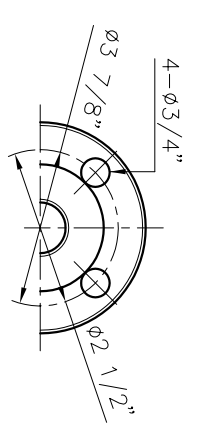


(L=3 3/8")



APPROVED	CHECK	10 24 02	MDL NAME	NH-32-100PG	NH-32-160PG
CHECK	DESIGN	10 04 99	DWG. NAME	NH-32-120PG	(5.5kW) (NEMA)
DESIGN	DR. BY	10 24 02 BECKY	DWG. NO.	NH-32-140PG	
DR. BY			B1326323	INSTALLATION DRAWING	
					A3

TPW
HONG YUAN
PAN WORLD CO., LTD.
パンワールド株式会社